

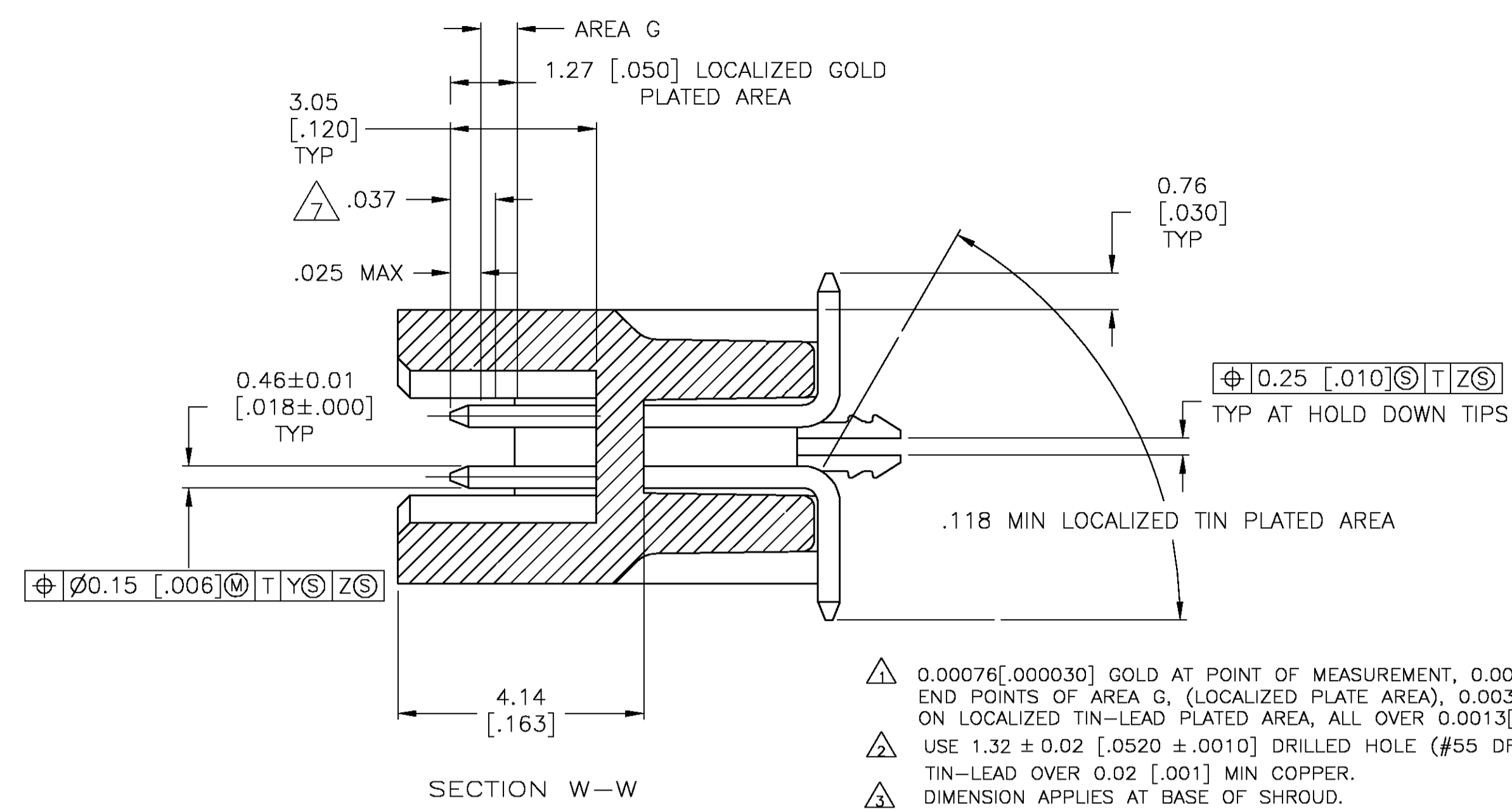
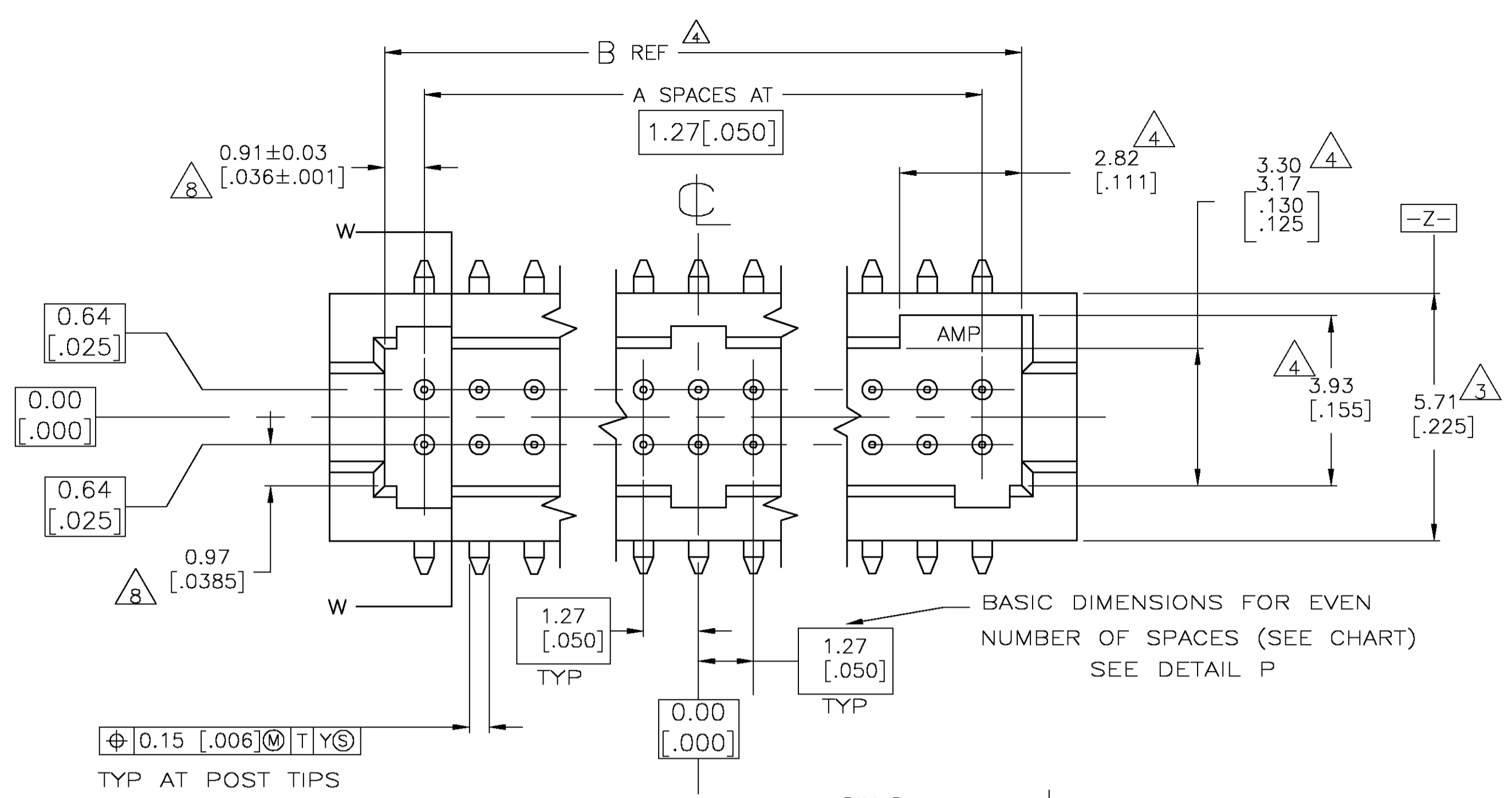
Distributed by:

JAMECO[®]
ELECTRONICS

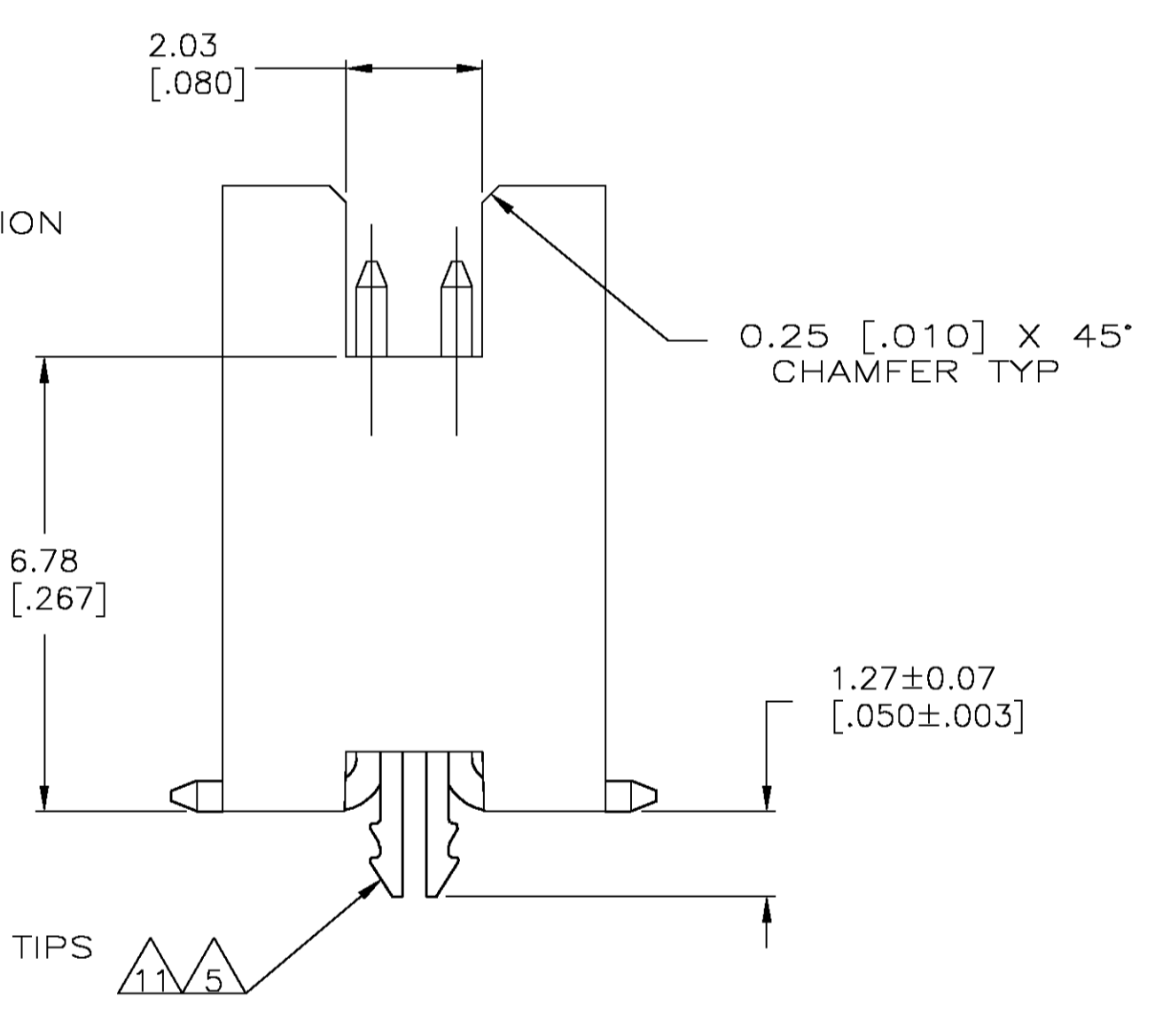
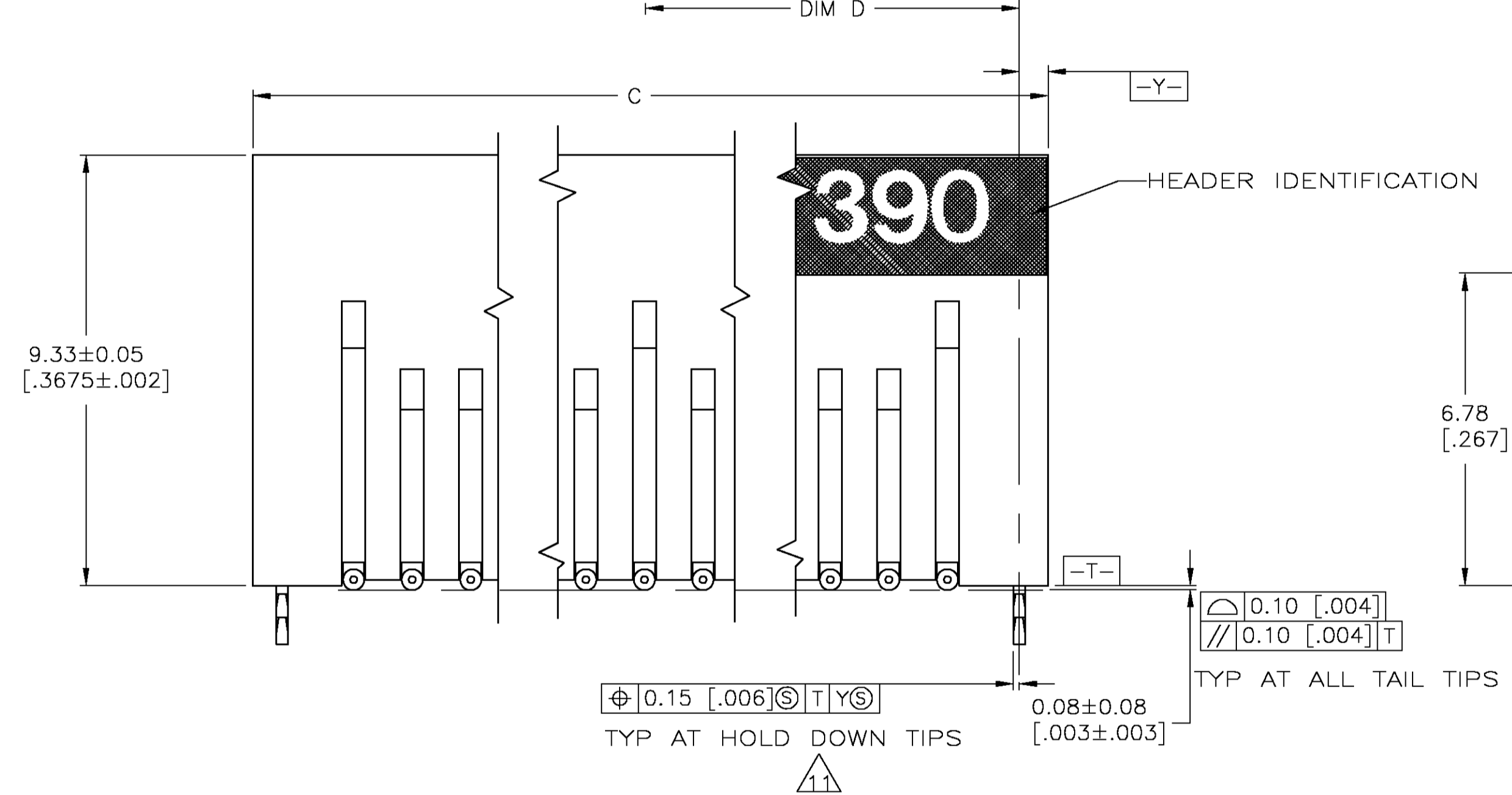
www.Jameco.com ♦ 1-800-831-4242

The content and copyrights of the attached
material are the property of its owner.

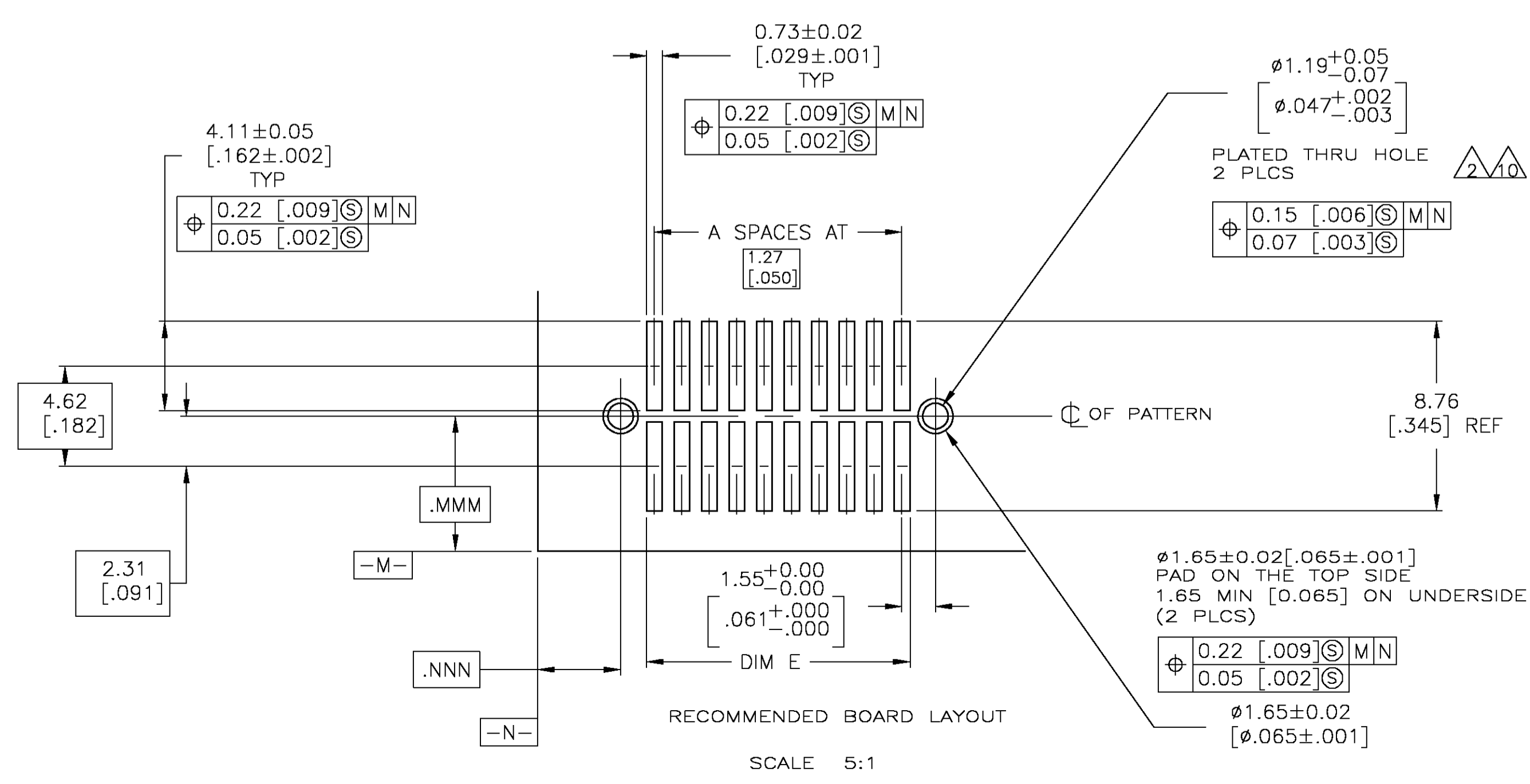
Jameco Part Number 745352



- △ 0.00076[.000030] GOLD AT POINT OF MEASUREMENT, 0.00051[.000020] MIN AT THE END POINTS OF AREA G, (LOCALIZED PLATE AREA), 0.0038[.000150] TIN-LEAD ON LOCALIZED TIN-LEAD PLATED AREA, ALL OVER 0.0013[.000050] NICKEL
- △ USE 1.32 ± 0.02 [.0520 ± .0010] DRILLED HOLE (#55 DRILL). FINISH TO BE TIN-LEAD OVER 0.02 [.001] MIN COPPER.
- △ DIMENSION APPLIES AT BASE OF SHROUD.
- △ THE NOTED DIMENSIONS APPLY AT THE MATING FACE OF THE HOUSING.
- △ 0.0038 [.000150] TIN-LEAD ON HOLD DOWN, ALL OVER 0.0013 [.000050] NICKEL.
- 6. IF PLANNING TO USE MORE THAN ONE MATING PAIR OF CONNECTORS TO INTERCONNECT 2 BOARDS, PLEASE REFER TO PARA. 3.3 IN THE APPLICATION SPEC, #114-7010
- △ POINT OF MEASUREMENT
- △ DIMENSIONS NOTED APPLY FROM THE BASIC DIMENSION LINE (NOT THE CIRCUIT CAVITY CENTER LINE) TO THE SURFACE INDICATED.
- △ 0.00076 (.000030) GOLD AT POINT OF MEASUREMENT, 0.0005 (.000020) MIN AT THE END POINTS OF AREA G, LOCALIZED PLATE AREA, 0.0038 (.000150) TIN ON LOCALIZED TIN PLATE AREA, ALL OVER 0.00127 (.000050) NICKEL.
- △ USE 1.32+/-0.02 (.0520+/-0.010) DRILLED HOLE (#55 DRILL) WITH 0.02 (.001) MIN COPPER
- △ 0.00381 (.000150) TIN ON HOLDDOWN, ALL OVER 0.00127 (.000050) NICKEL



DETAIL P
 BASIC DIMENSIONS FOR ODD NUMBER OF SPACES



65.33 [2.572]	32.66 [1.286]	66.59 [2.622]	64.05 [2.522]	49	100	△ 6-104693-0
58.98 [2.322]	29.48 [1.161]	60.24 [2.372]	57.70 [2.272]	44	90	△ 5-104693-9
52.63 [2.072]	26.31 [1.036]	53.89 [2.122]	51.35 [2.022]	39	80	△ 5-104693-8
46.28 [1.822]	23.13 [.911]	47.54 [1.872]	45.00 [1.772]	34	70	△ 5-104693-7
39.93 [1.572]	19.96 [.786]	41.19 [1.622]	38.65 [1.522]	29	60	△ 5-104693-6
33.58 [1.322]	16.78 [.661]	34.84 [1.372]	32.30 [1.272]	24	50	△ 5-104693-5
27.23 [1.072]	13.61 [.536]	28.49 [1.122]	25.95 [1.022]	19	40	△ 5-104693-4
20.88 [.822]	10.43 [.411]	22.14 [.872]	19.60 [.772]	14	30	△ 5-104693-3
14.53 [.572]	7.26 [.286]	15.79 [.622]	13.25 [.522]	9	20	△ 5-104693-2
8.18 [.322]	4.08 [.161]	9.44 [.372]	6.90 [.272]	4	10	△ 5-104693-1
65.33 [2.572]	32.66 [1.286]	66.59 [2.622]	64.05 [2.522]	49	100	1-104693-0
58.98 [2.322]	29.48 [1.161]	60.24 [2.372]	57.70 [2.272]	44	90	104693-9
52.63 [2.072]	26.31 [1.036]	53.89 [2.122]	51.35 [2.022]	39	80	104693-8
46.28 [1.822]	23.13 [.911]	47.54 [1.872]	45.00 [1.772]	34	70	104693-7
39.93 [1.572]	19.96 [.786]	41.19 [1.622]	38.65 [1.522]	29	60	104693-6
33.58 [1.322]	16.78 [.661]	34.84 [1.372]	32.30 [1.272]	24	50	104693-5
27.23 [1.072]	13.61 [.536]	28.49 [1.122]	25.95 [1.022]	19	40	104693-4
20.88 [.822]	10.43 [.411]	22.14 [.872]	19.60 [.772]	14	30	104693-3
14.53 [.572]	7.26 [.286]	15.79 [.622]	13.25 [.522]	9	20	104693-2
8.18 [.322]	4.08 [.161]	9.44 [.372]	6.90 [.272]	4	10	104693-1
E	D	C	B	A	NUMBER OF POSITIONS	PART NUMBER

THIS DRAWING IS A CONTROLLED DOCUMENT.

DIMENSIONS: mm [INCHES]	TOLERANCES UNLESS OTHERWISE SPECIFIED:	DWN KATE HELM 06/07/91	Tyco Electronics Corporation Harrisburg, Pa 17105-3608
0 PLC ± .005	1 PLC ± .005	CHK D. GORENC 8/12/91	
2 PLC ± .005	3 PLC ± .013 [.005]	APVD D. GORENC 8/12/91	NAME: HEADER ASSEMBLY, SURFACE MOUNT, AMPMODU 50/50 GRID (9.90 [.390] MATED HEIGHT)
4 PLC ± .013 [.005]	ANGLES ± .013 [.005]	PRODUCT SPEC	
MATERIAL: HOLDING HOLES: HOLDING HOLES: POST: HOLD DOWN: COPPER ALLOY	FINISH: △	APPLICATION SPEC	SIZE: A1
		WEIGHT: -	CODE: 00779
		CUSTOMER DRAWING	DRAWING NO: 104693
			RESTRICTED TO: -
			SCALE: 10:1
			SHEET: 1 of 1
			REV: L