

Distributed by:

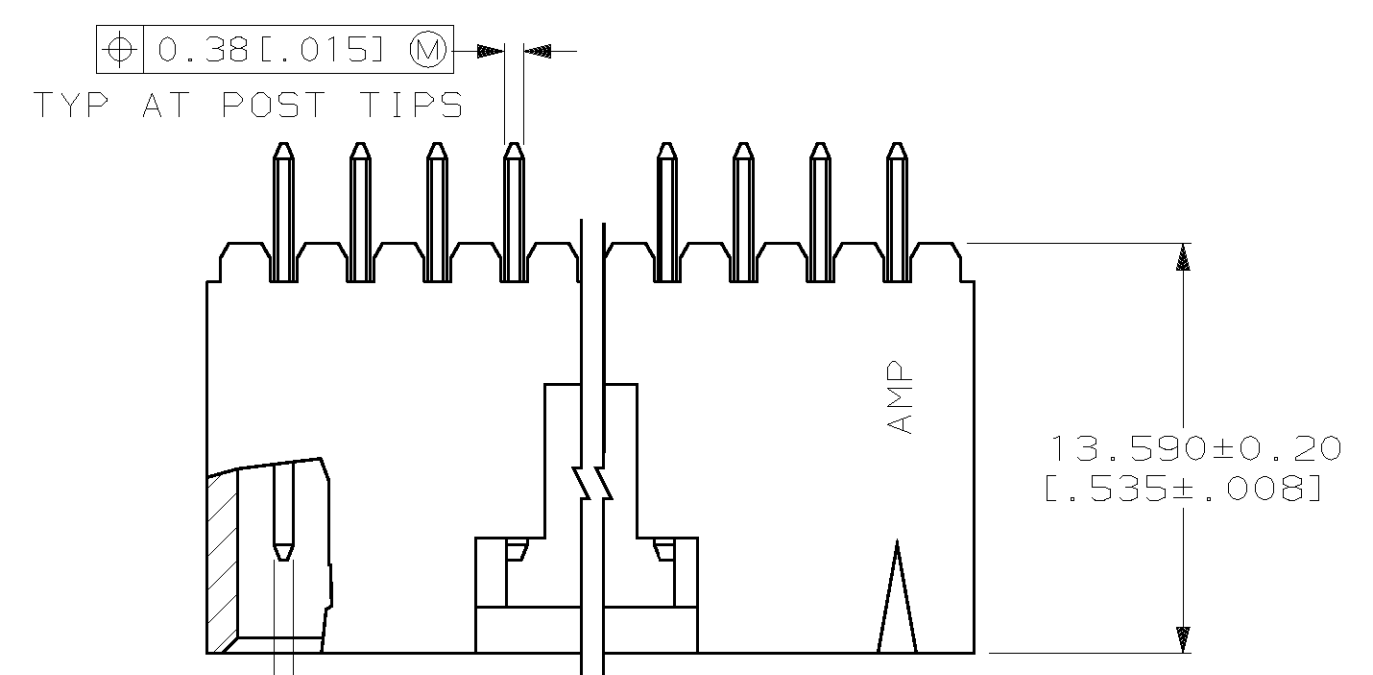
JAMECO[®]
ELECTRONICS

www.Jameco.com ♦ 1-800-831-4242

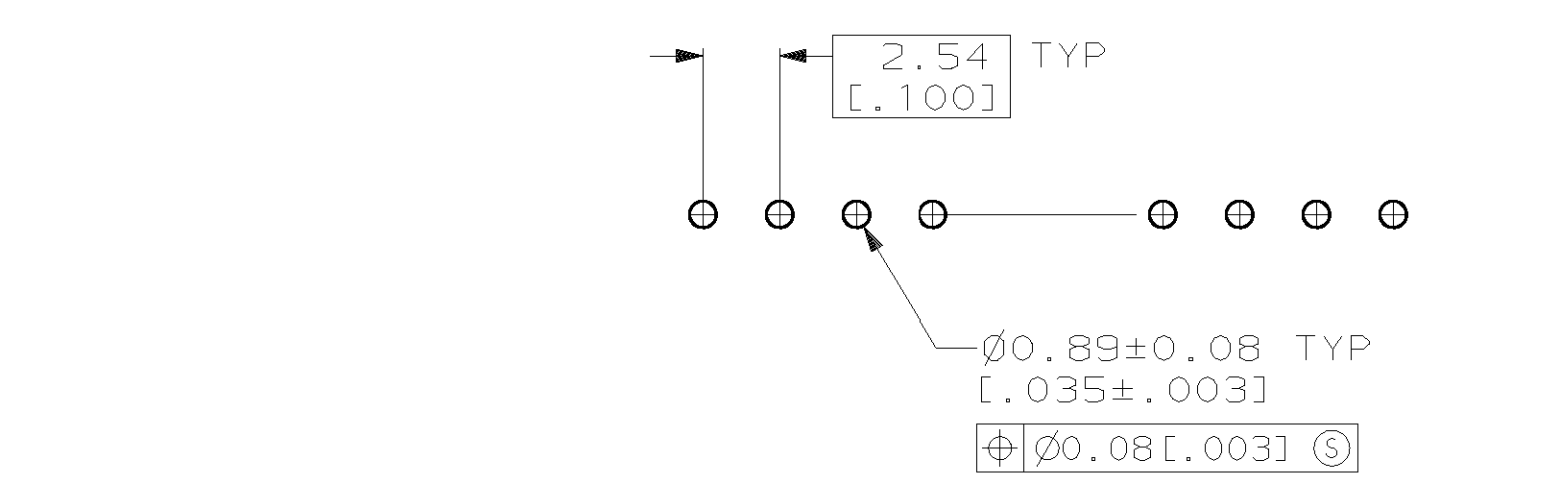
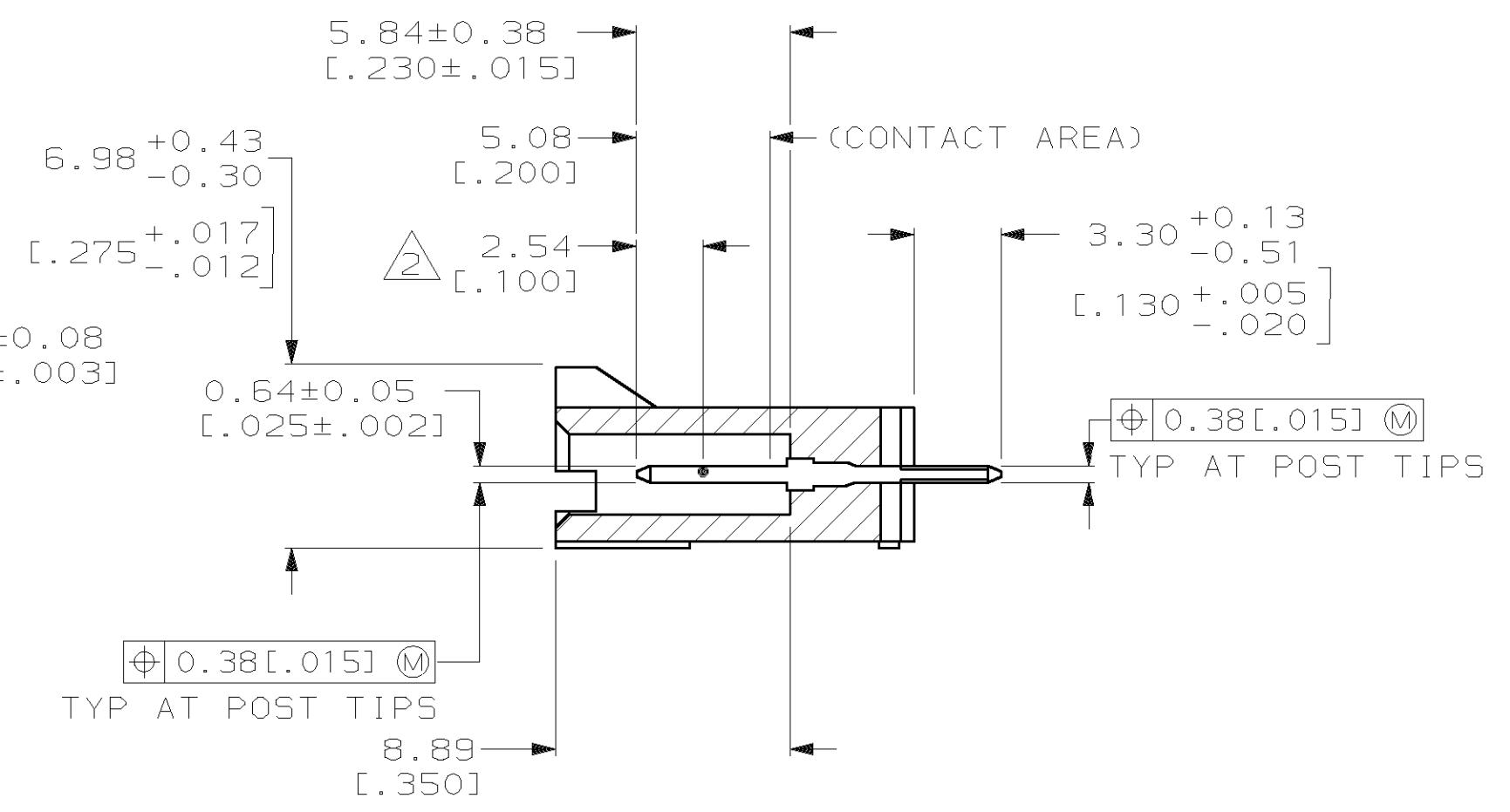
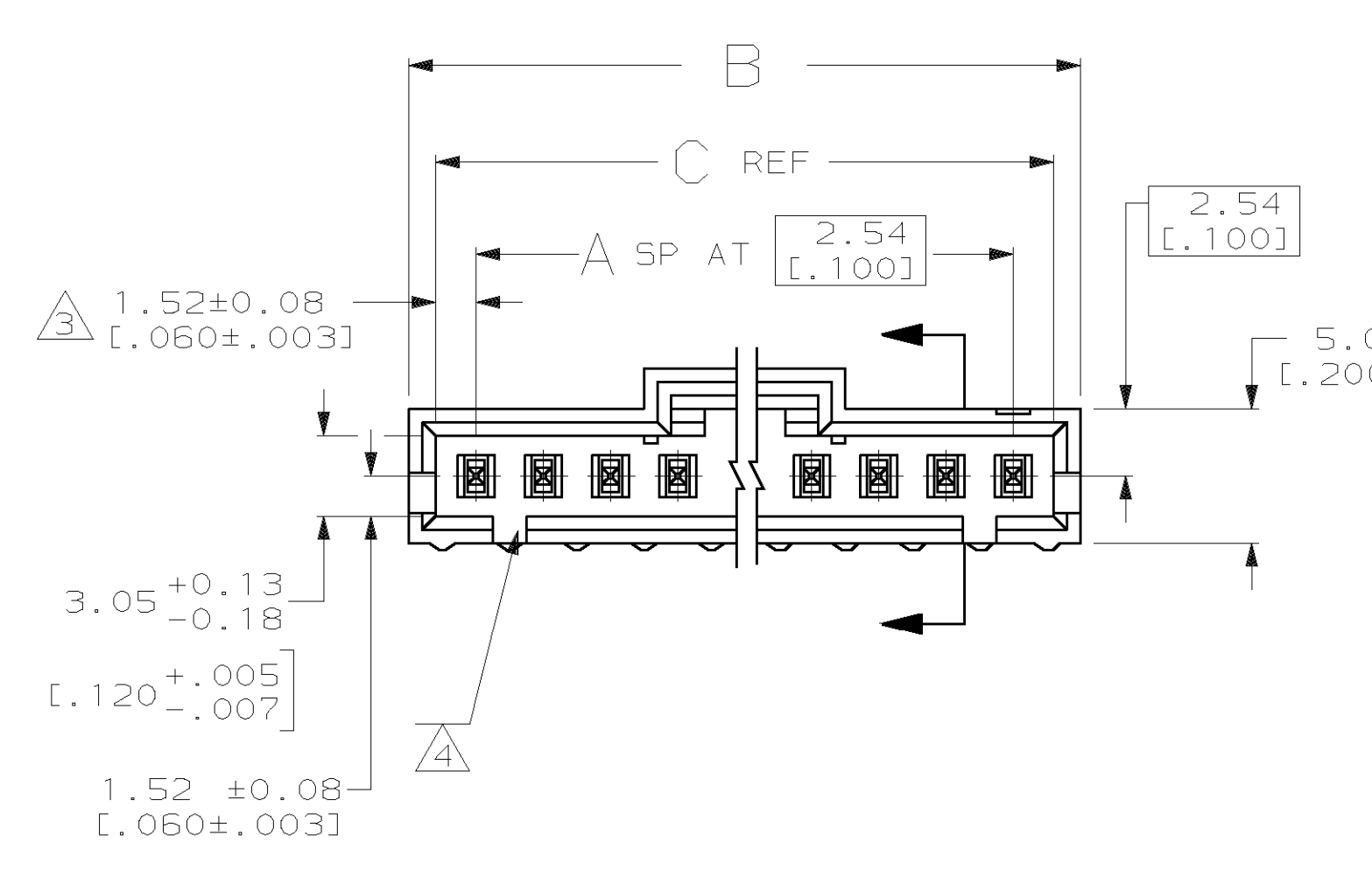
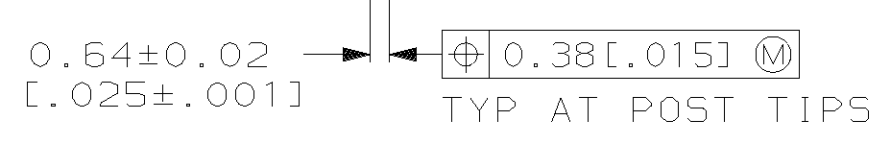
The content and copyrights of the attached
material are the property of its owner.

Jameco Part Number 747041

| LOC | DIST | P | F | ZONE | LTR | REVISIONS DESCRIPTION | DATE | APPD |
|-----|------|---|---|------|-----|---------------------------|-----------|------|
| AD | 00 | | | | | D REV PER AD-5122 | - | - |
| | | | | | | E OBS PER 0010-0831-93 | 9-10-93 | JG |
| | | | | | | F REV PER 0010-0782-93 | 2-16-94 | JG |
| | | | | | | G REV PER 0010-1884-93 | 2-16-94 | JG |
| | | | | | | H REV PER 0010-1859-93 | 2-16-94 | JG |
| | | | | | | J REV PER 0010-1063-94 | 7-18-94 | JG |
| | | | | | | K REV PER 0010-0104-95 | 3-3-95 | JG |
| | | | | | | L REV PER 0010-0012-96 | 1-3-96 | JG |
| | | | | | | M REV PER 0010-1114-95 | 1-25-96 | JG |
| | | | | | | N REV PER 0310-0040-97 | 1-28-97 | JG |
| | | | | | | P REV PER 0310-0355-97 | 02-FEB-98 | JG |
| | | | | | | R REV PER EC 063C-0441-00 | 05FEB01 | KW |



- ① .00038 [0.00015] GOLD IN THE CONTACT AREA, .00254 [0.00100] MATTE TIN-LEAD ON REMAINDER OF CONTACT, ALL OVER .00127 [0.00050] NICKEL.
- ② POINT OF MEASUREMENT FOR PLATING THICKNESS.
- ③ THE NOTED DIMENSIONS APPLY AT THE INTERSECTION OF THE POST AND THE HOUSING.
- ④ ON ASSEMBLIES WITH FOUR OR MORE POSITIONS, TWO POLARIZATION SLOTS. ON ASSEMBLIES WITH TWO OR THREE POSITIONS, ONE POLARIZATION SLOT.



| | | | | |
|---------|---------|----|-------------|------------|
| 64.01 | 66.04 | 24 | 25 | 2-103638-4 |
| [2.520] | [2.600] | | | |
| 61.47 | 63.50 | 23 | 24 | 2-103638-3 |
| [2.420] | [2.500] | | | |
| 58.93 | 60.96 | 22 | 23 | 2-103638-2 |
| [2.320] | [2.400] | | | |
| 56.39 | 58.42 | 21 | 22 | 2-103638-1 |
| [2.220] | [2.300] | | | |
| 53.85 | 55.88 | 20 | 21 | 2-103638-0 |
| [2.120] | [2.200] | | | |
| 51.31 | 53.34 | 19 | 20 | 1-103638-9 |
| [2.020] | [2.100] | | | |
| 48.77 | 50.80 | 18 | 19 | 1-103638-8 |
| [1.920] | [2.000] | | | |
| 46.23 | 48.26 | 17 | 18 | 1-103638-7 |
| [1.820] | [1.900] | | | |
| 43.69 | 45.72 | 16 | 17 | 1-103638-6 |
| [1.720] | [1.800] | | | |
| 41.15 | 43.18 | 15 | 16 | 1-103638-5 |
| [1.620] | [1.700] | | | |
| 38.61 | 40.64 | 14 | 15 | 1-103638-4 |
| [1.520] | [1.600] | | | |
| 36.07 | 38.10 | 13 | 14 | 1-103638-3 |
| [1.420] | [1.500] | | | |
| 33.53 | 35.56 | 12 | 13 | 1-103638-2 |
| [1.320] | [1.400] | | | |
| 30.99 | 33.02 | 11 | 12 | 1-103638-1 |
| [1.220] | [1.300] | | | |
| 28.45 | 30.48 | 10 | 11 | 1-103638-0 |
| [1.120] | [1.200] | | | |
| 25.91 | 27.94 | 9 | 10 | 103638-9 |
| [1.020] | [1.100] | | | |
| 23.37 | 25.40 | 8 | 9 | 103638-8 |
| [.920] | [1.000] | | | |
| 20.83 | 22.86 | 7 | 8 | 103638-7 |
| [.820] | [.900] | | | |
| 18.29 | 20.32 | 6 | 7 | 103638-6 |
| [.720] | [.800] | | | |
| 15.75 | 17.78 | 5 | 6 | 103638-5 |
| [.620] | [.700] | | | |
| 13.21 | 15.24 | 4 | 5 | 103638-4 |
| [.520] | [.600] | | | |
| 10.67 | 12.70 | 3 | 4 | 103638-3 |
| [.420] | [.500] | | | |
| 8.13 | 10.16 | 2 | 3 | 103638-2 |
| [.320] | [.400] | | | |
| 5.59 | 7.62 | 1 | 2 | 103638-1 |
| [.220] | [.300] | | | |
| C | B | A | NO. OF POSN | PART NO. |

| PART NO | | PART NO | | |
|---|----------------------------|---|-----------------|-------------------|
| DO NOT SCALE PRINT. UNLESS SPECIFIED DIMENSIONS IN mm [INCHES] TOLERANCES ON: | DR 3-5-91 S. SHUEY | AMP AMP Incorporated Harrisburg, PA 17105-3508 | | |
| 2 PLC DEC ± 0.13 [0.005] | CHK 3-5-91 J. GESFORD | | | |
| 3 PLC DEC ± - | APPD 3-5-91 J. GESFORD | | | |
| MATERIAL HOUSING: FLAME RETARDANT THERMOPLASTIC COLOR - BLACK | APPD 3-5-91 D. DUPLER | NAME HDR ASSY, VERT, SINGLE ROW | | |
| CONTACTS: BRASS | PRODUCT SPEC 108-25034 | 2.54 [0.100] ϕ , 0.64 [0.025] SQ POST, WITH PLZN & LATCHING, AMPMODU MTE | | |
| FINISH | APPLICATION SPEC 114-25026 | SIZE D | CAGE CODE 00779 | DRAWING NO 103638 |
| | WEIGHT - | SCALE 4:1 | SHEET 1 OF 1 | |

