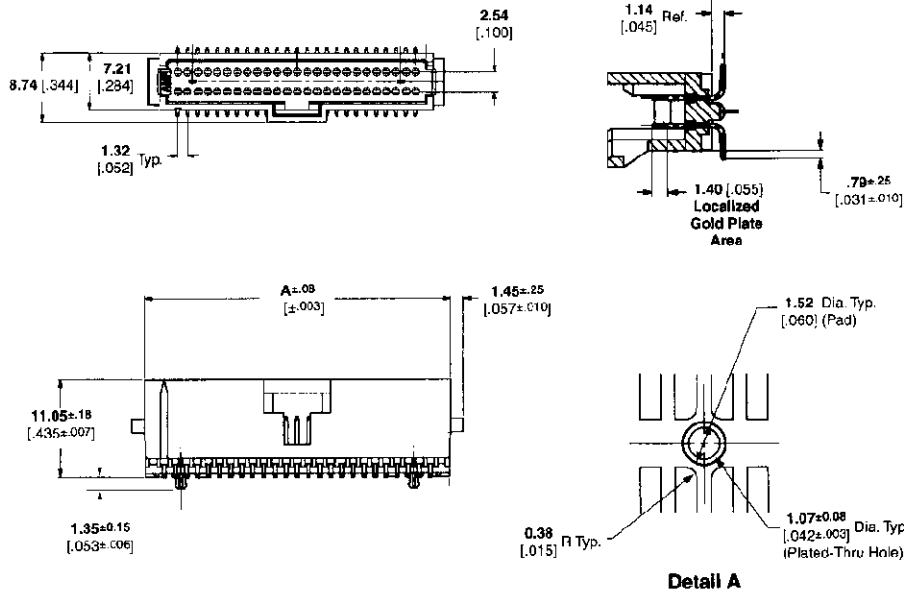
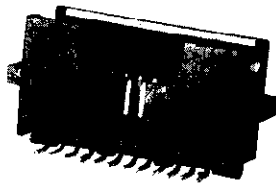




AMPMODU System 50 Connectors (Continued)

Surface-Mount Headers, 1.27 [.050] Centers, Board-to-Board

Double Row, Vertical



Material and Finish:

- Housing** — Glass-filled, black thermoplastic, 94V-0 rated
- Contacts** — Phosphor bronze, plated 0.00076 [.000030] gold in mating area, 0.00381 [.000150] tin-lead on solder tail, with entire contact underplated 0.00127 [.000050] nickel
- Holddown** — Copper alloy, plated .000150 tin-lead over 0.00127 [.000050] nickel

Related Product Data:

- Performance Characteristics** — Page 479
- Current Rating (per contact)** — 1.0 amperes
- Dielectric Withstanding Voltage** — 500 VAC
- Insulation Resistance** — 5,000 Megohms
- Durability (tested to)** — 200 Cycles
- Mating Force (per contact)** — 1.38 N [5 oz.] Max.
- Unmating Force (per contact)** — 0.22 N [0.8 oz.] Min.
- Operating Temperature** — -65°C to +105°C
- Mateable Connectors** — Page 480 482

Product Specification 108 1093
Application Specification 114-25035

Recommended PC Board Layout

No. of Positions	Dimensions					Part Numbers	
	A	B	C	D	E	Pkg in Tube	Pkg in Tape & Reel*
10	9.65 .380	5.08 .200	—	0.64 .025	—	104549-1	146351-6
12	10.92 .430	6.35 .250	—	—	—	1-104549-1	—
20	16.00 .630	11.43 .450	3.81 .150	3.81 .150	—	104549-2	146351-2
24	18.54 .730	13.97 .550	5.08 .200	5.08 .200	—	104549-3	146351-4
30	22.35 .880	17.78 .700	6.99 .275	6.99 .275	—	104549-5	146351-5
40	28.70 1.130	24.13 .950	10.16 .400	10.16 .400	—	104549-6	146351-1
50	35.05 1.380	30.48 1.200	13.34 .525	13.34 .525	0.64 .025	104549-7	146351-3
60	41.40 1.630	36.83 1.450	16.51 .650	16.51 .650	.000	104549-8	146351-7
80	54.10 2.130	49.53 1.950	22.86 .900	22.86 .900	.000	104549-9	146351-8
100	66.80 2.630	62.23 2.450	29.21 1.150	29.21 1.150	.000	1-104549-0	146351-9

*Parts packaged in tape and reel without hold downs and with vacuum pick and place button

Internal Interconnects

General Internal Interconnects