

Distributed by:

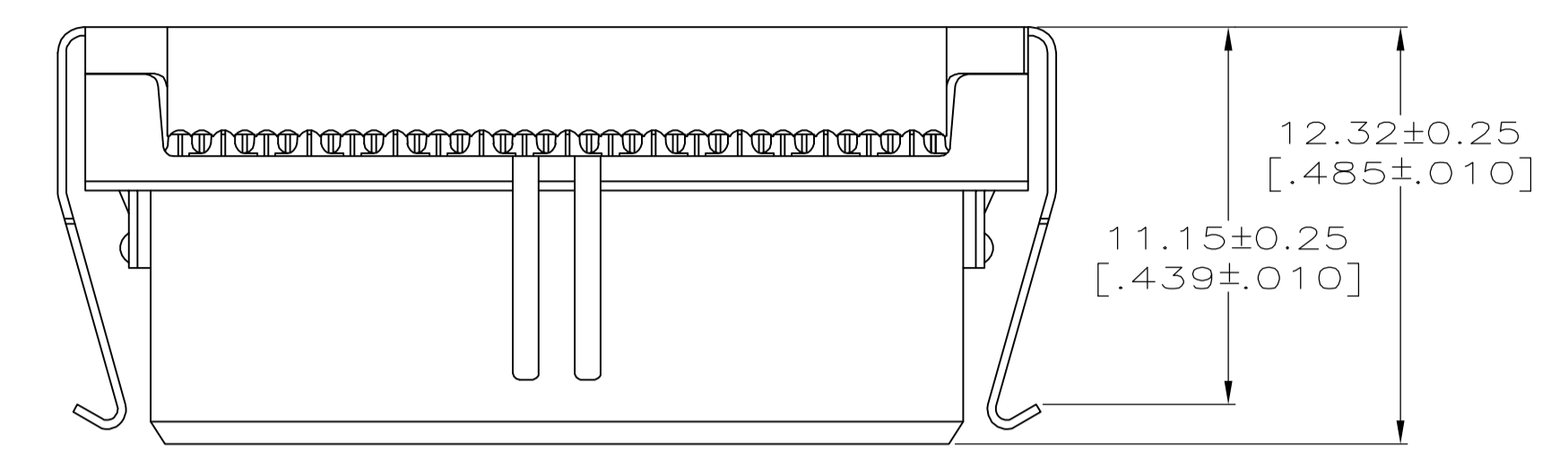
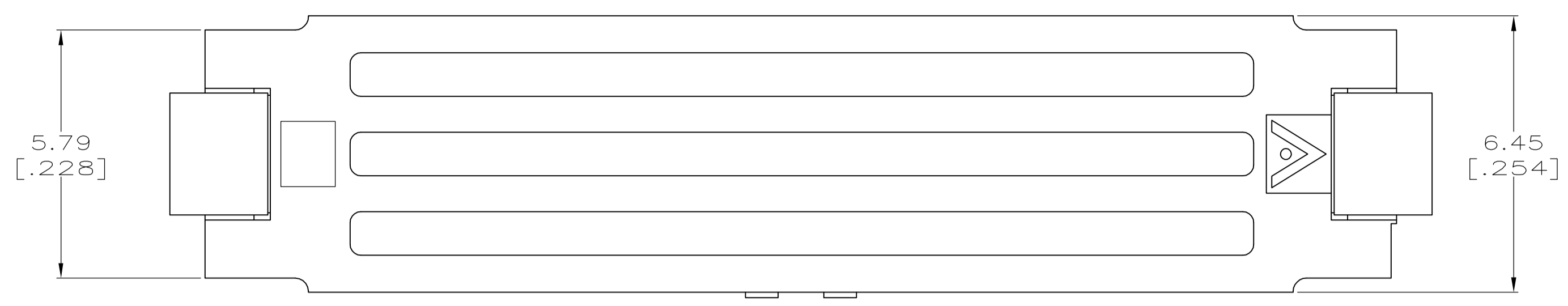
**JAMECO**<sup>®</sup>  
ELECTRONICS

**www.Jameco.com ♦ 1-800-831-4242**

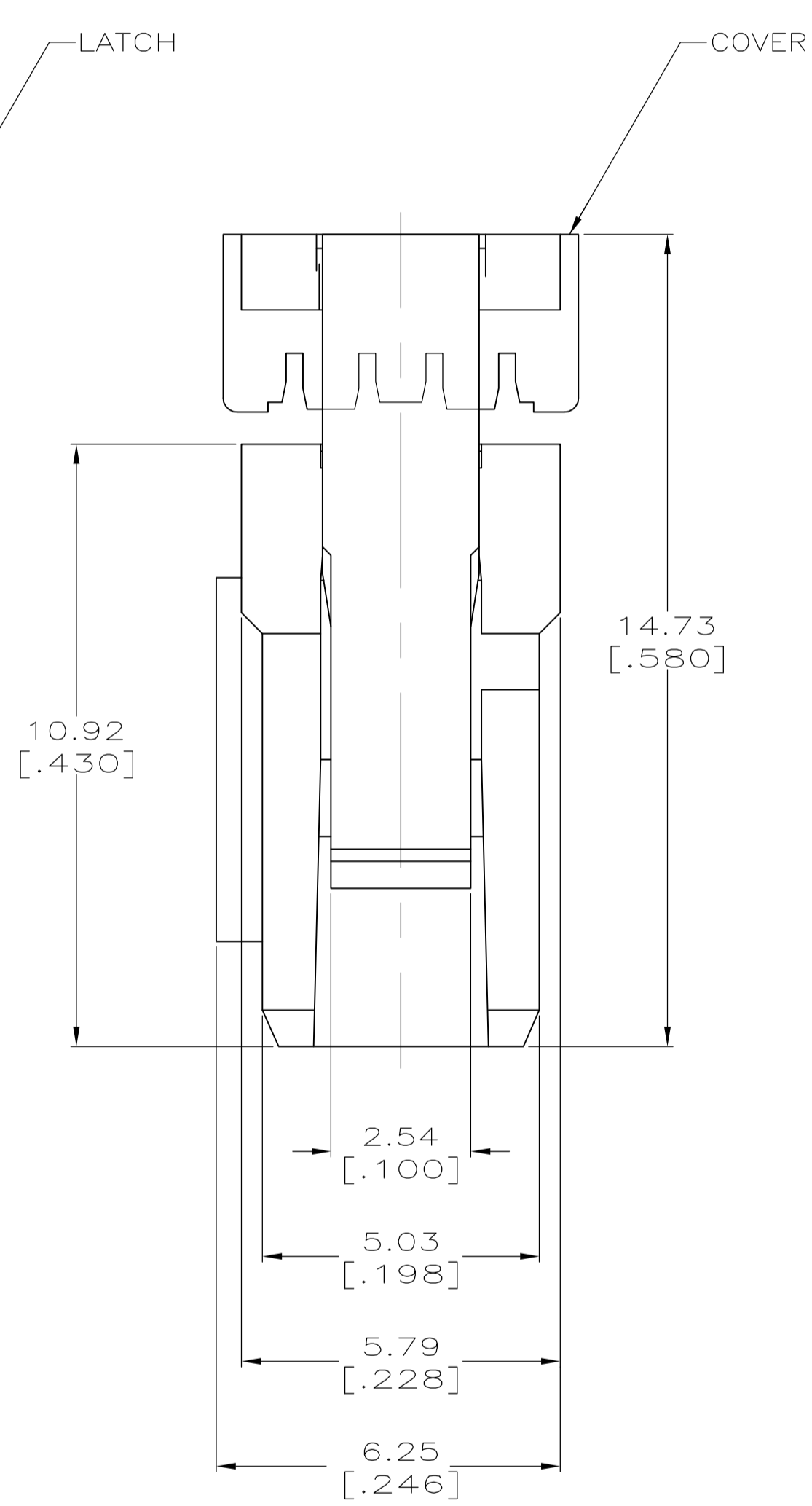
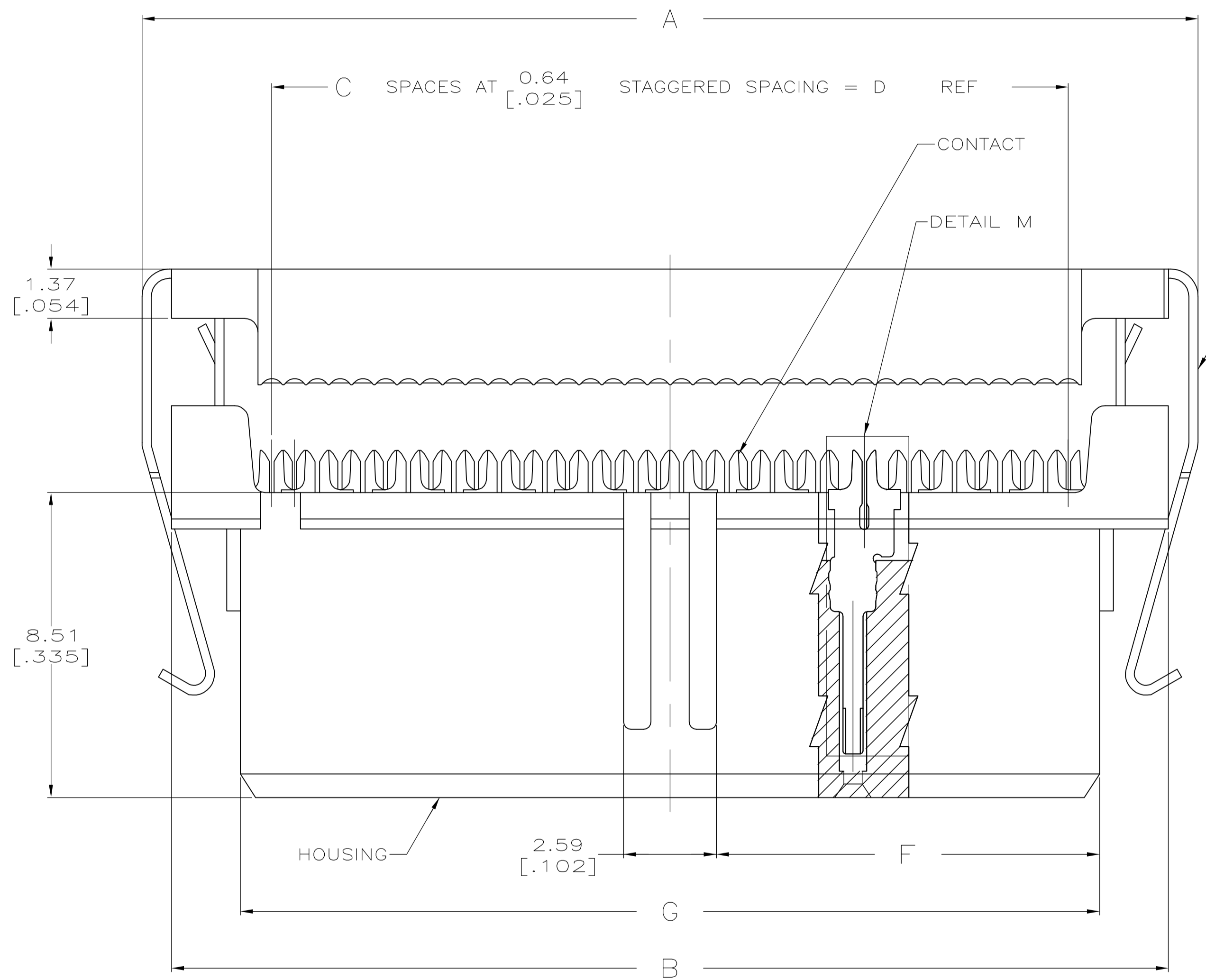
The content and copyrights of the attached  
material are the property of its owner.

Jameco Part Number 1404074

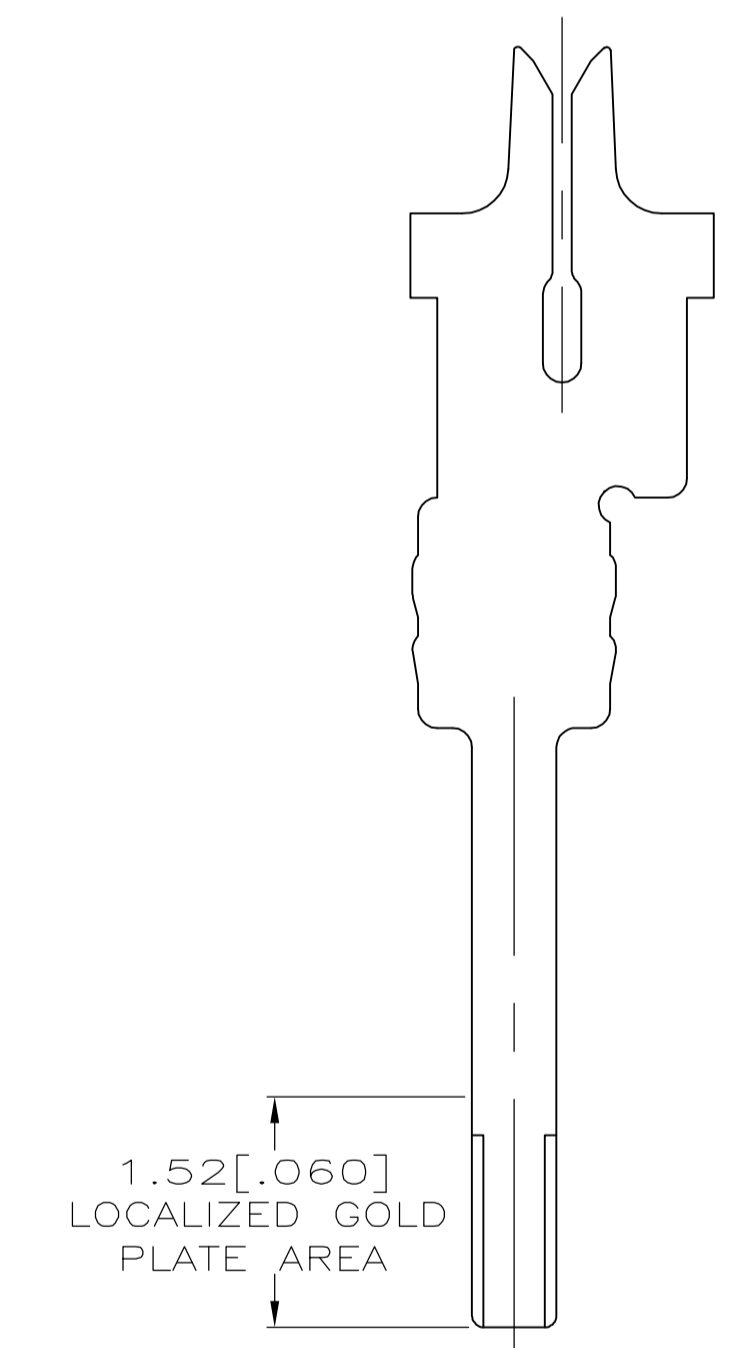
LOC		DIST		REVISIONS			
GP	00	REV	DATE	DESCRIPTION	DATE	BY	APP'D
K2			25/OCT/06	REVISED PER ECO-06-020813		ZR	CR



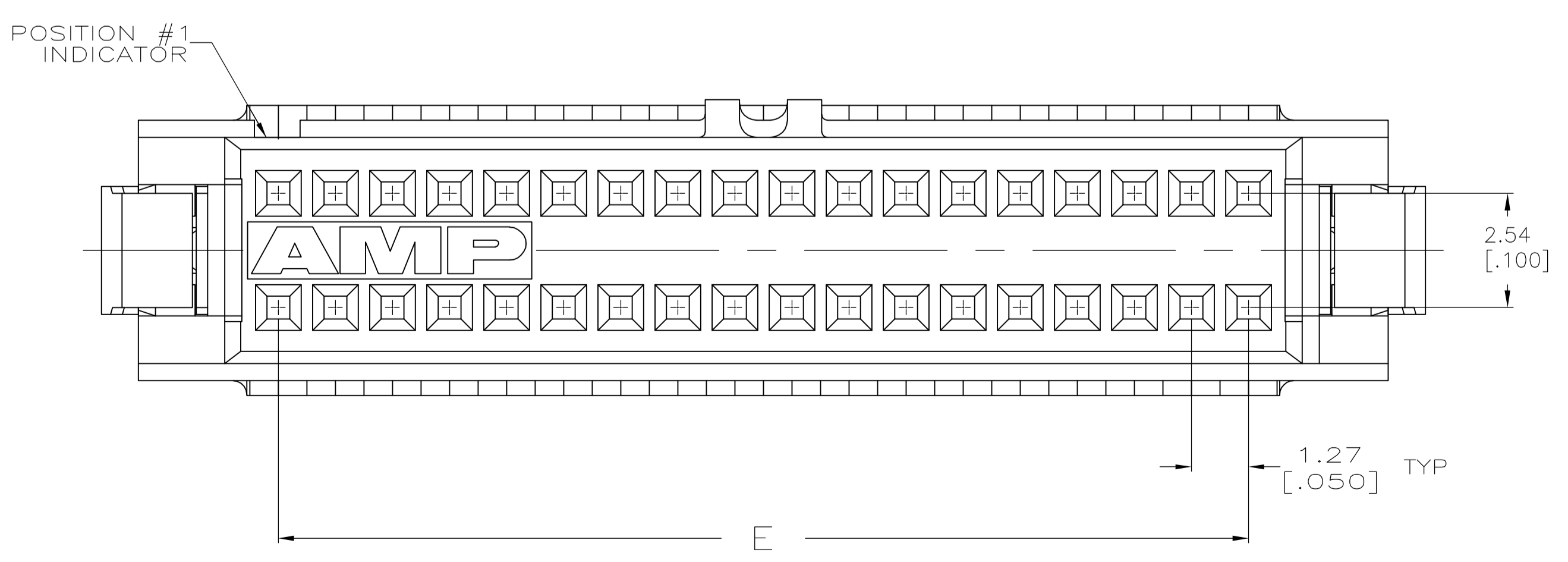
TERMINATED VIEW  
SCALE 5:1



BEFORE TERMINATION



DETAIL M  
SCALE 20:1  
TYPICAL



THIS DRAWING IS A CONTROLLED DOCUMENT.		DWG J.GERACE	20JUL04		Tyco Electronics Corporation Harrisburg, PA 17105-3608	
DIMENSIONS: mm [INCHES]		CHK C.ROHDE	20JUL04		APPROV M.WALMSLEY	20JUL04
TOLERANCES UNLESS OTHERWISE SPECIFIED:		0 PLC ± -		APPLICATION SPEC		SIZE A1
		1 PLC ± -		RESTRICTED TO		SCALE 10:1
		2 PLC ± 0.13[.005]		WEIGHT		SHEET 1 OF 2
		3 PLC ± -		CUSTOMER DRAWING		REV K2
		4 PLC ± -		MATERIAL SEE SHEET 2		
		ANGLES ± -		FINISH SEE SHEET 2		
		FINISH SEE SHEET 2		DRAWING NO 111196		

