

Distributed by:

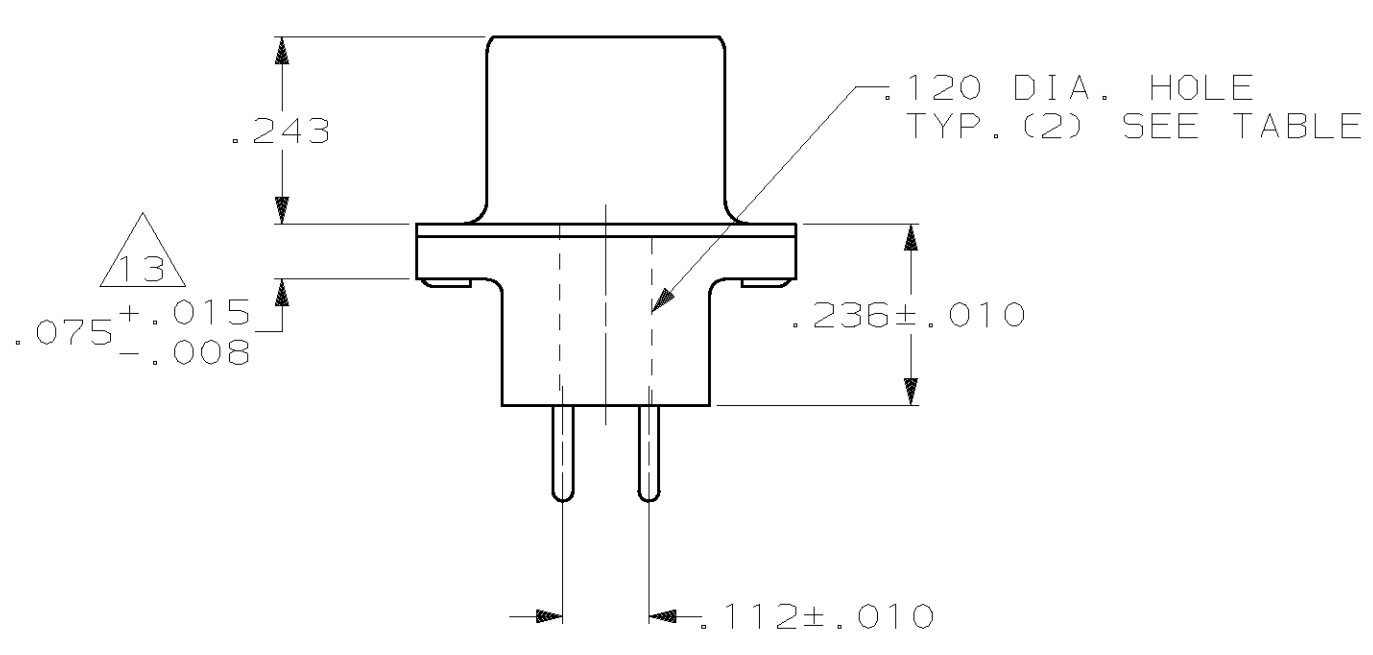
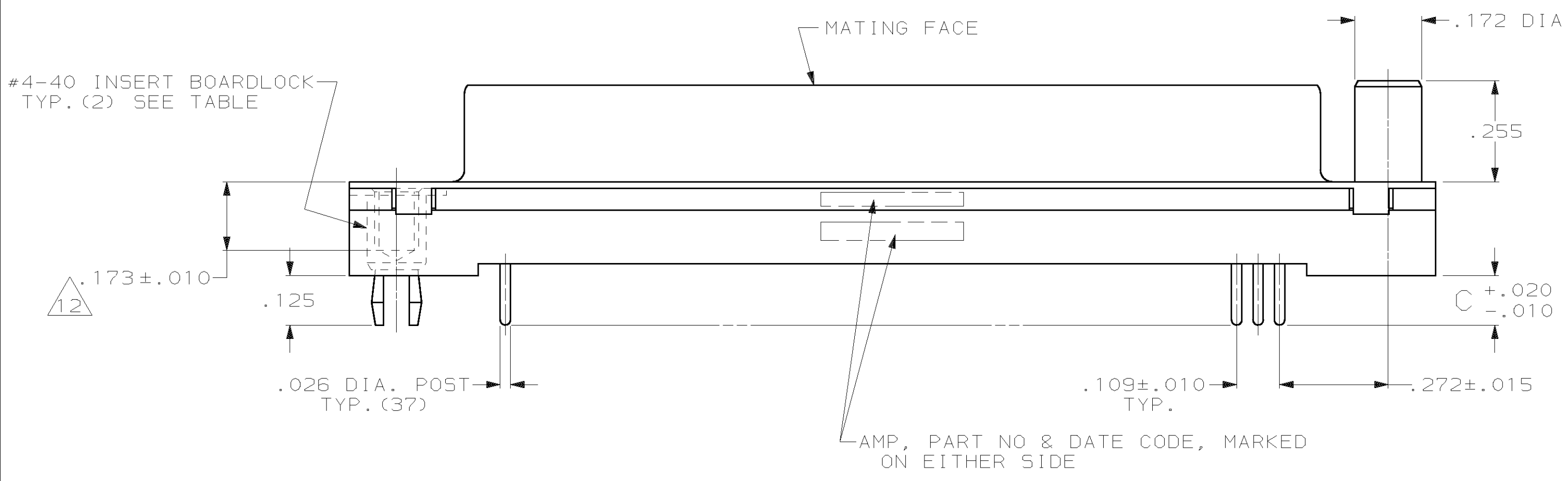
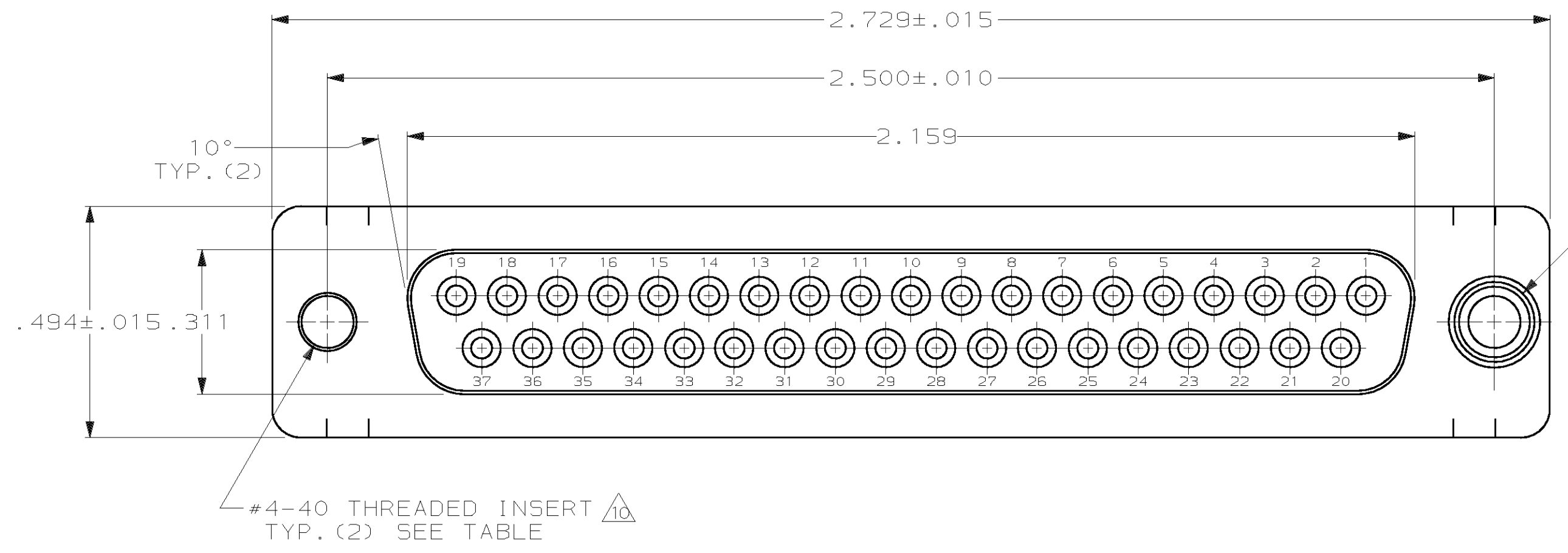
**JAMECO**<sup>®</sup>  
ELECTRONICS

**www.Jameco.com ♦ 1-800-831-4242**

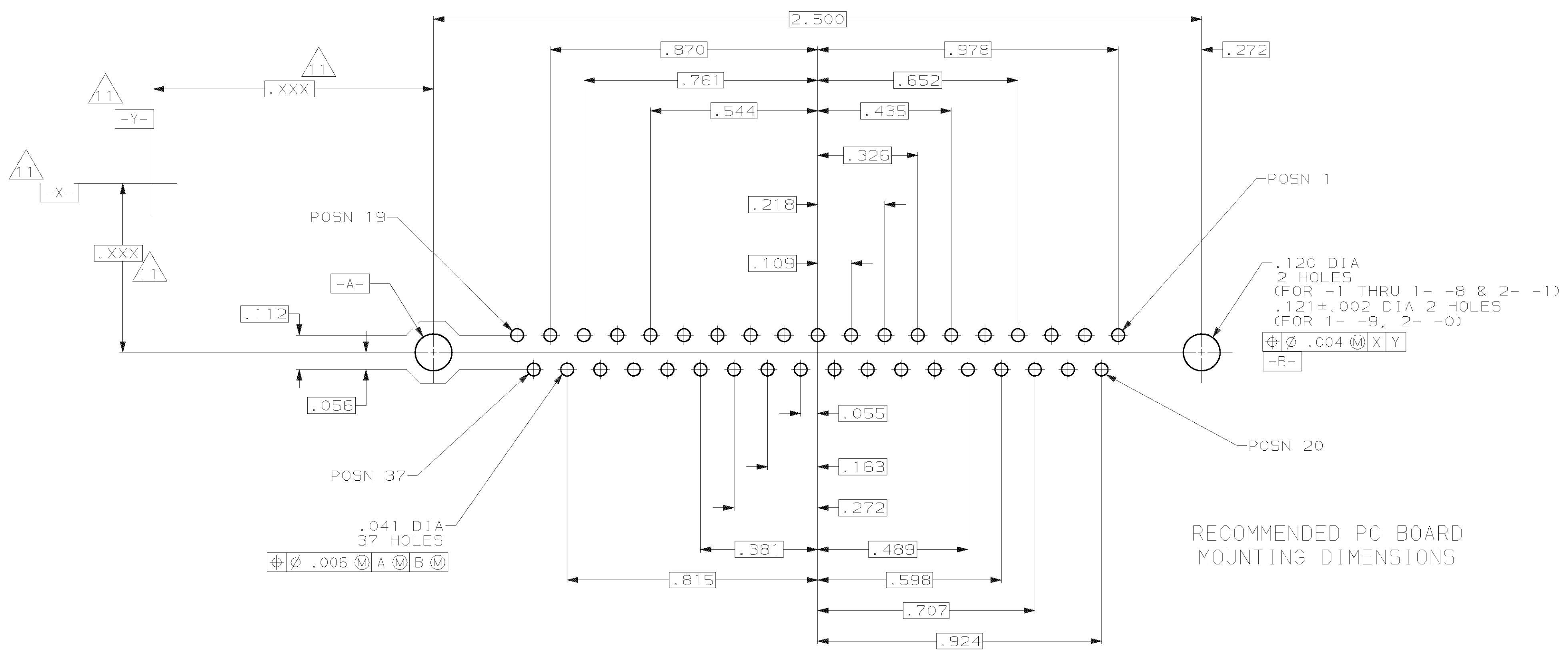
The content and copyrights of the attached  
material are the property of its owner.

Jameco Part Number 838583

LOC		DIST		P		F		ZONE		LTR		REVISIONS			
GP	00											DESCRIPTION	DATE	APPD	
												L	REVISED PER EC 0513-0460-02	07MAR03	JG



- △ FLAME RETARDANT 94V-0 RATED THERMOPLASTIC; COLOR: BLACK.
- △ STEEL PER ASTM A109.
- △ PHOS. BRONZE PER QQ-B-750.
- △ INSERTS & BOARDLOCKS: BRASS PER QQ-B-626, SCREWLOCKS: ZINC.
- △ GOLD PLATING PER MIL-G-45204, TIN PLATING PER MIL-T-10727, NICKEL PLATING PER QQ-N-290.
- △ .000200-.000400 BRIGHT TIN.
- △ INSERTS: UNPLATED, SCREWLOCKS: UNPLATED, BOARDLOCKS: TIN OVER COPPER.
- △ GOLD FLASH FOR LENGTH OF .100 MIN FROM MATING END, .000100-.000200 BRIGHT TIN OR BRIGHT TIN LEAD ON TERMINATION END, ALL OVER .000050 NICKEL ON ENTIRE CONTACT.
- △ .000030 GOLD FOR LENGTH OF .100 MIN FROM MATING END, .000100-.000200 BRIGHT TIN OR BRIGHT TIN LEAD ON TERMINATION END, ALL OVER .000050 NICKEL ON ENTIRE CONTACT.
- △ INSERTS & SCREWLOCKS WILL WITHSTAND 10 IN. LBS. TORQUE AND 50 LBS. PULL OUT FORCE FROM MATING FACE SIDE.
- △ DATUMS AND BASIC DIMENSIONS ESTABLISHED BY CUSTOMER.
- △ RECOMMENDED SCREWLOCK IS 747877-3 WITH RETENTION INSERTS.
- △ .110 MAX IN SHELL TAB CLINCH AREAS.



REMARKS	CONTACT FINISH	C	PART NUMBER
SUPERSEDED BY 1-747301-6	WITH FEMALE SCREWLOCKS	△	.170 2-747709-1
SUPERSEDED BY 2-747709-0	WITH INSERT BOARDLOCKS	△	.125 2-747709-0
OBSOLETE		△	.125 1-747709-9
OBSOLETE		△	.250 1-747709-8
SUPERSEDED BY 1-747301-6	WITH FEMALE SCREWLOCKS	△	.250 1-747709-7
OBSOLETE		△	.170 1-747709-6
OBSOLETE		△	.170 1-747709-5
OBSOLETE		△	.125 1-747709-4
OBSOLETE		△	.125 1-747709-3
OBSOLETE		△	.250 1-747709-2
OBSOLETE		△	.250 1-747709-1
OBSOLETE	WITH THREADED INSERTS	△	.170 1-747709-0
OBSOLETE		△	.170 747709-9
SUPERSEDED BY 747301-8		△	.125 747709-8
SUPERSEDED BY 747301-7		△	.125 747709-7
OBSOLETE		△	.250 747709-6
OBSOLETE		△	.250 747709-5
OBSOLETE		△	.170 747709-4
OBSOLETE	WITH .120 DIA. HOLE	△	.170 747709-3
OBSOLETE		△	.125 747709-2
OBSOLETE		△	.125 747709-1

DO NOT SCALE PRINT. UNLESS SPECIFIED DIMENSIONS IN INCHES TOLERANCES ON: 2 PLC DEC ± .005 3 PLC DEC ± .005 ANGLES ± 2°	DR 2-27-85 S. WELDON CHK 2-27-85 J. GERACE APPD 2-27-85 R. BRANDT APPD 2-27-85 R. BAER	<b>AMP</b> AMP Incorporated Harrisburg, PA 17105-3508	
MATERIAL HOUSING: △ SHELL: △ CONTACTS: △ INSERTS, SCREWLOCKS & BOARDLOCKS: △	PRODUCT SPEC 108-40025	NAME RECEPTACLE ASSEMBLY, SIZE 4, 37 POS., VERTICAL, .026 DIA. DUPLEX PLATED POSTS, FRONT SHELL, AMPLIMITE™ HDP	
FINISH: △ SHELL: △ CONTACTS: SEE TABLE INSERTS, SCREWLOCKS & BOARDLOCKS: △	APPLICATION SPEC 114-40023	SIZE D	CAGE CODE 00779
	WEIGHT -	DRAWING NO C-747709	
		SCALE NTS	SHEET 1 OF 1

THIS DRAWING IS A CONTROLLED DOCUMENT FOR AMP INCORPORATED. IT IS SUBJECT TO CHANGE AND THE CONTROLLING ENGINEERING ORGANIZATION SHOULD BE CONTACTED FOR THE LATEST REVISION.