

Distributed by:

**JAMECO**<sup>®</sup>  
ELECTRONICS

**www.Jameco.com ♦ 1-800-831-4242**

The content and copyrights of the attached  
material are the property of its owner.

Jameco Part Number 744309

4

3

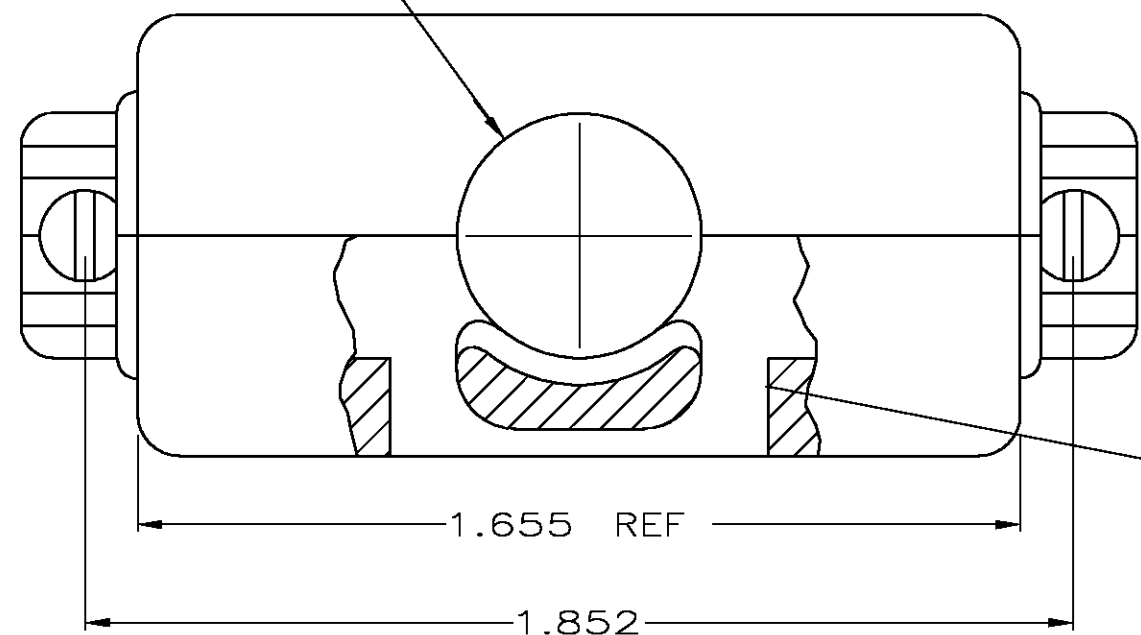
2

1

THIS DRAWING IS UNPUBLISHED. RELEASED FOR PUBLICATION  
BY TYCO ELECTRONICS CORPORATION. ALL RIGHTS RESERVED.

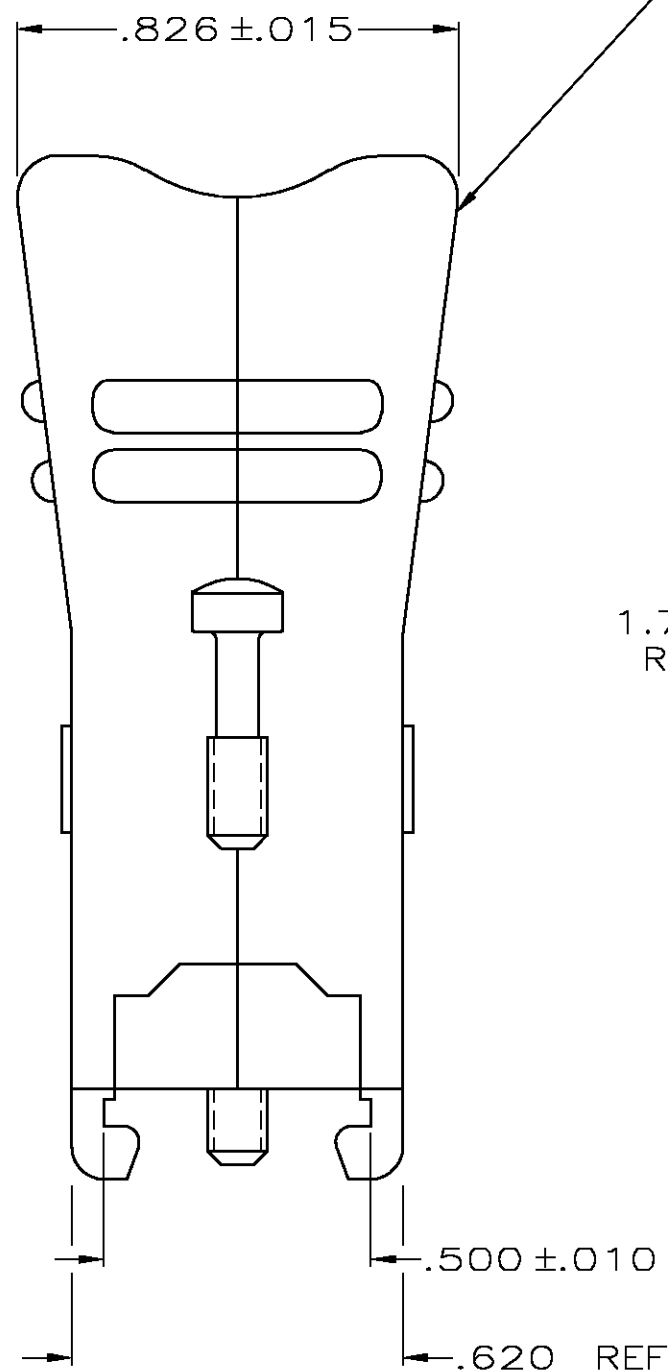
LOC	DIST	REVISIONS					
GP	00	P	LTR	DESCRIPTION	DATE	DWN	APVD
		G		REVISED PER EC 0513-0512-03	05MAR04	BM	JG

.335 MAX DIA  
CABLE OPENING



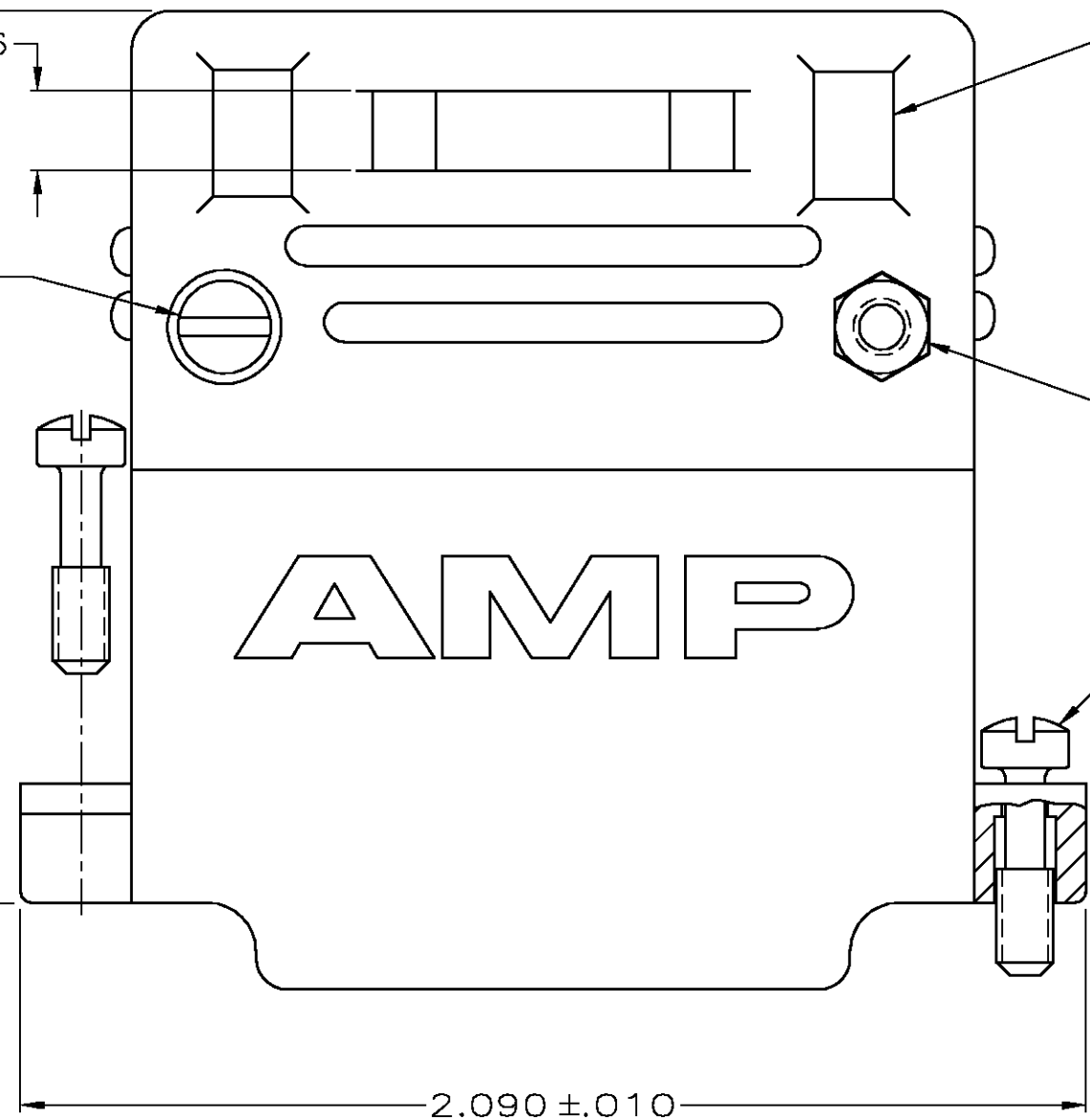
INTERNAL CABLE  
TIE OPENINGS

TWO PIECE CABLE  
SUPPORT HOUSING.  
MATERIAL: THERMOPLASTIC, GRAY



1.750  
REF

#4-40 STEEL,  
SCREW,  
ZINC PLATED,  
2 REQD



EXTERNAL CABLE  
TIE OPENINGS

#4-40 HEX NUT, STEEL,  
ZINC PLATED

#4-40 CRS SCREW,  
ZINC PLATED, 2 REQD

1. THIS PART WILL FIT ANY STANDARD SIZE 3 PLUG OR RECEPTACLE IN THE AMPLIMITE SERIES.
2. ALL PARTS ARE PACKAGED UNASSEMBLED.

OBSOLETE	BULK PACKAGED	206472-2
	1 KIT PER POLY BAG	206472-1
	PACKAGING	PART NUMBER

THIS DRAWING IS A CONTROLLED DOCUMENT.		DWN B. MCMASTER 05MAR04	Tyco Electronics Corporation Harrisburg, Pa 17105-3608	
DIMENSIONS: INCHES		CHK C. ROHDE 05MAR04	NAME M. WALMSLEY 05MAR04	
TOLERANCES UNLESS OTHERWISE SPECIFIED:		PRODUCT SPEC		
0 PLC ± -		APPLICATION SPEC		
1 PLC ± -		WEIGHT		
2 PLC ± -		SIZE A2		
3 PLC ± .005		CAGE CODE 00779		
4 PLC ± -		DRAWING NO C-206472		
ANGLES ± -		RESTRICTED TO		
FINISH		SCALE 3:1		
MATERIAL SEE CALLOUT		CUSTOMER DRAWING		SHEET 1 OF 1
SEE CALLOUT		REV G		