

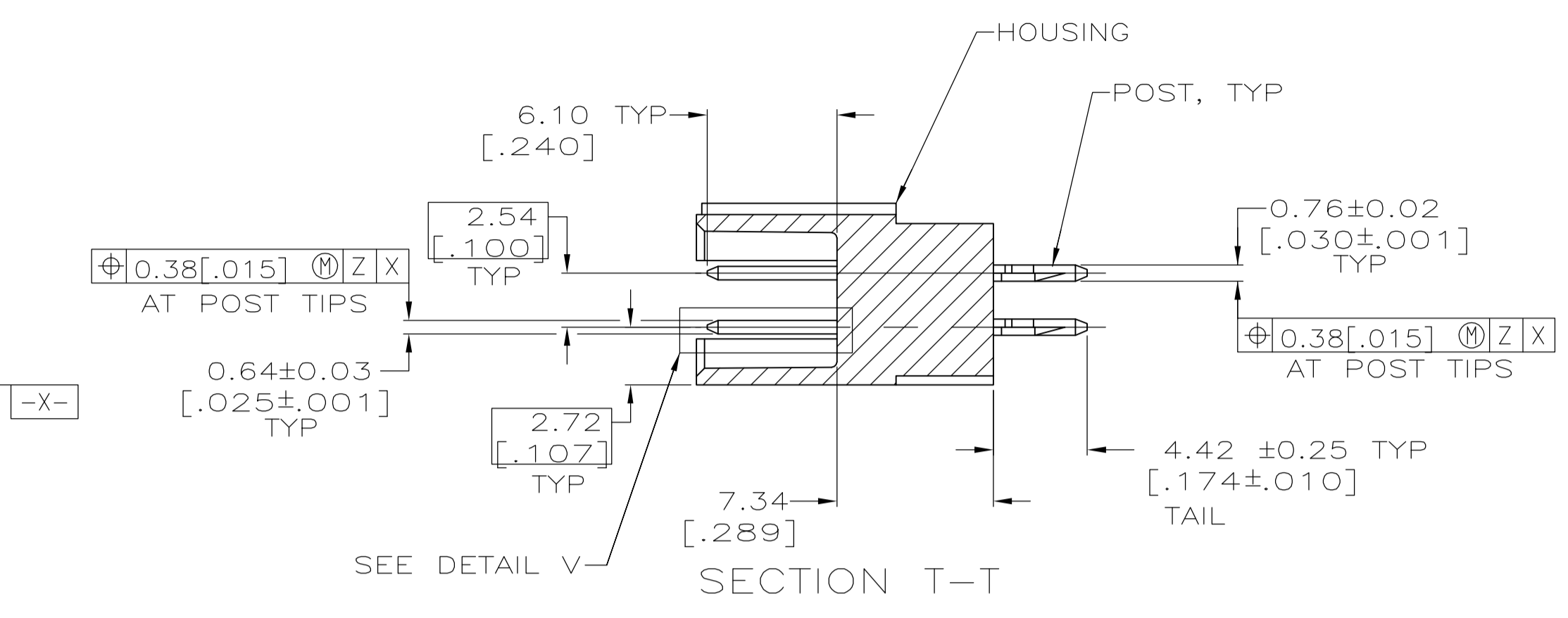
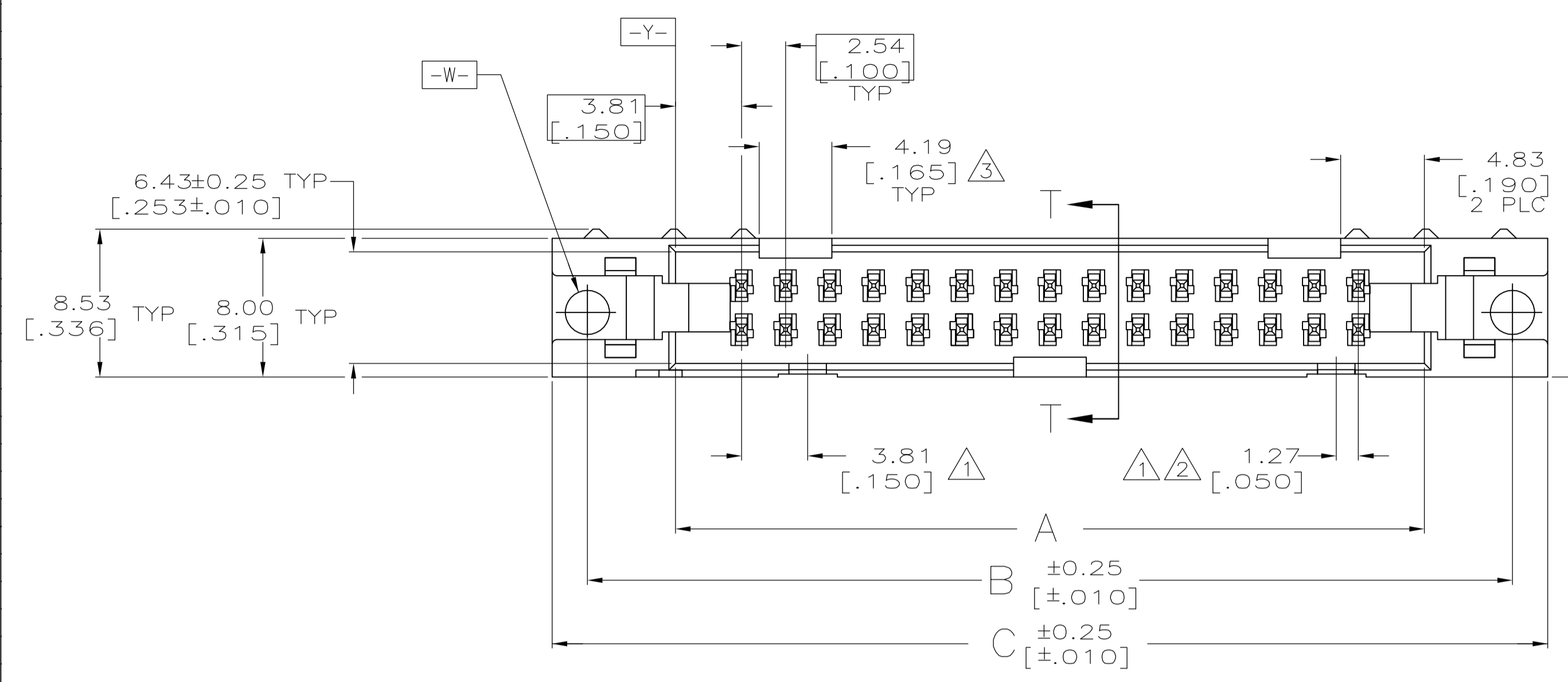
Distributed by:

**JAMECO**<sup>®</sup>  
ELECTRONICS

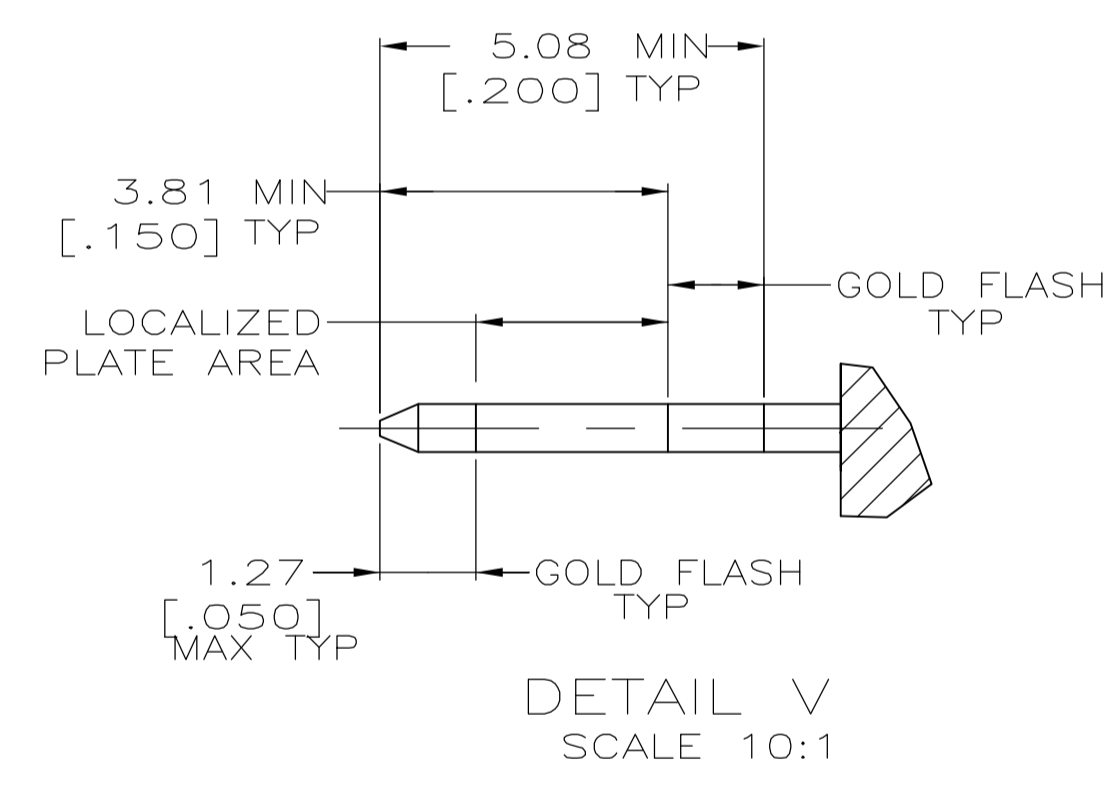
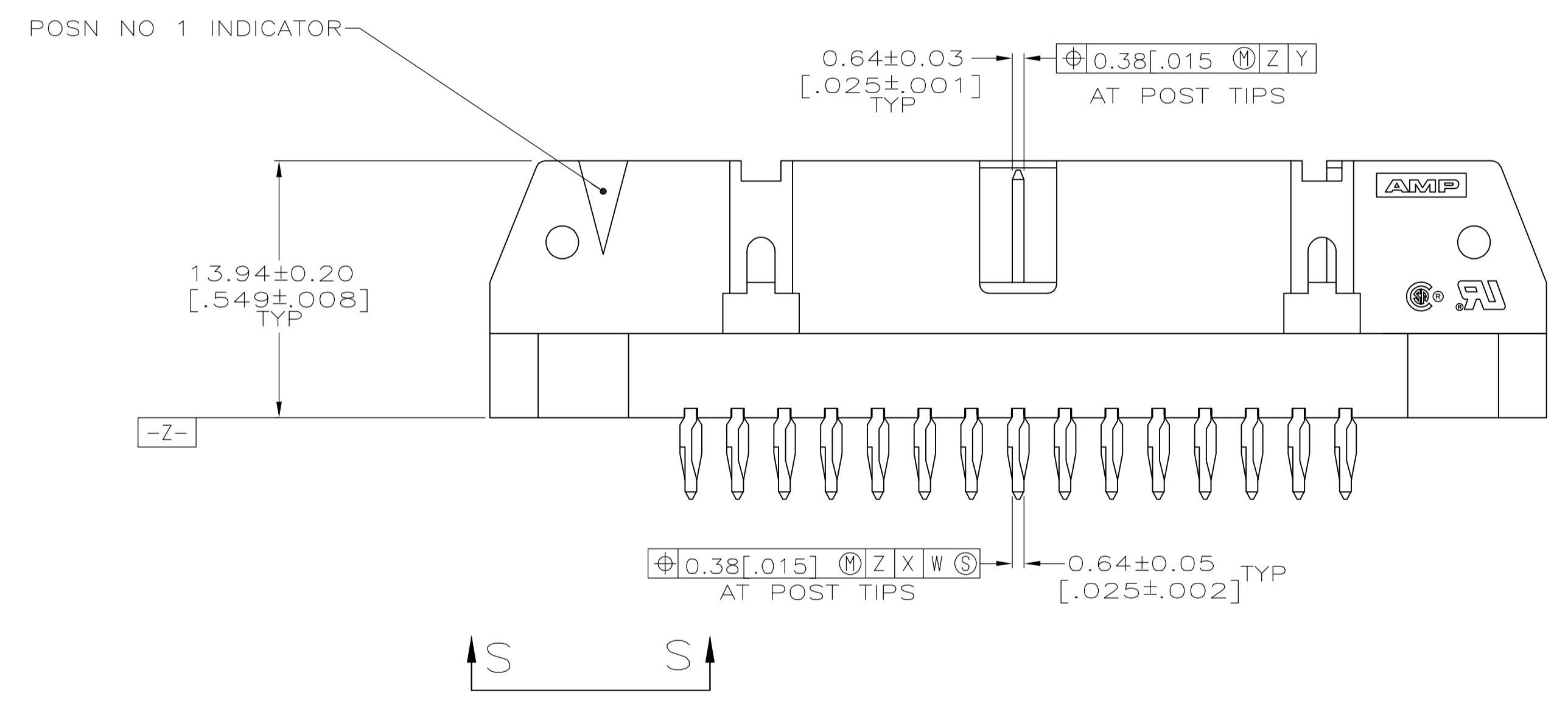
**www.Jameco.com ♦ 1-800-831-4242**

The content and copyrights of the attached  
material are the property of its owner.

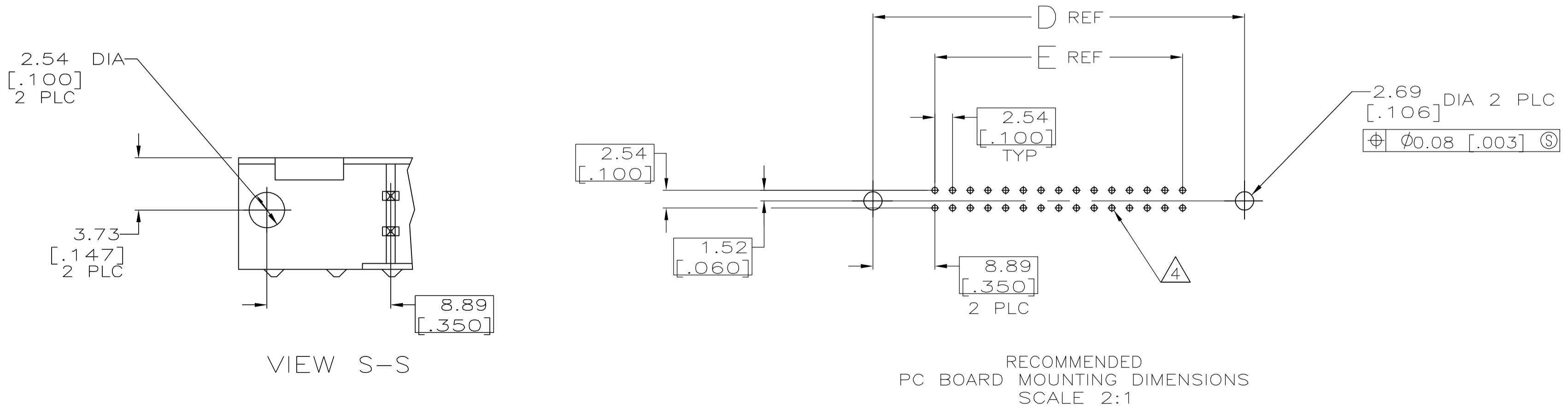
Jameco Part Number 948459



- △ COORDINATE DIMENSION APPLIES FROM BASIC LOCATION.
- △ 10 AND 14 POSITION SIZES CONTAIN ONLY ONE SLOT FOR SNAP-IN POLARIZER (MILITARY POLARIZATION) LOCATED AS SHOWN.
- △ 10 POSITION SIZES CONTAIN ONLY ONE SLOT FOR DUAL POLARIZATION, LOCATED AS SHOWN.
- △ RECOMMENDATIONS FOR 2.36[.093]-3.18[.125] THICK PC BOARD:
  - A. HOLE DIAMETER AFTER DRILLING=1.151±.025[.0453±.0010].
  - B. HOLE DIAMETER AFTER TIN-LEAD PLATING=0.94[.037]-1.09[.043].
  - C. HOLE DIAMETER AFTER REFLOW=0.91[.036]-1.09[.043].
  - D. PC BOARD PLATING TO BE 7.62μm[.000300] MIN TIN-LEAD OVER 0.05±.03[.002±.001] COPPER.
- △ POSTS: GOLD FLASH OVER 0.76μm[.000030] MIN PALLADIUM-NICKEL PLATE ON THE LOCALIZED PLATE AREA, 2.54μm[.000100] MIN TIN OR TIN-LEAD PLATE ON THE TAIL, 1.27μm[.000050] MIN NICKEL UNDERPLATE ON THE ENTIRE POST. -OR- 0.76μm[.000030] MIN GOLD PLATE ON THE LOCALIZED PLATE AREA, 2.54μm[.000100] MIN TIN OR TIN-LEAD PLATE ON THE TAIL, 1.27μm[.000050] MIN NICKEL UNDERPLATE ON THE ENTIRE POST.



OBSOLETE	53.34	71.12	75.18	71.12	60.96	44	1-499582-3
	2.100	2.800	2.960	2.800	2.400		
OBSOLETE	78.74	96.52	100.58	96.52	86.36	64	1-499582-2
	3.100	3.800	3.960	3.800	3.400		
OBSOLETE	73.66	91.44	95.50	91.44	81.28	60	1-499582-1
	2.900	3.600	3.760	3.600	3.200		
OBSOLETE	60.96	78.74	82.80	78.74	68.58	50	1-499582-0
	2.400	3.100	3.260	3.100	2.700		
OBSOLETE	48.26	66.04	70.10	66.04	55.88	40	499582-9
	1.900	2.600	2.760	2.600	2.200		
OBSOLETE	40.64	58.42	62.48	58.42	48.26	34	499582-8
	1.600	2.300	2.460	2.300	1.900		
OBSOLETE	35.56	53.34	57.40	53.34	43.18	30	499582-7
	1.400	2.100	2.260	2.100	1.700		
OBSOLETE	30.48	48.26	52.32	48.26	38.10	26	499582-6
	1.200	1.900	2.060	1.900	1.500		
OBSOLETE	27.94	45.72	49.78	45.72	35.56	24	499582-5
	1.100	1.800	1.960	1.800	1.400		
OBSOLETE	22.86	40.64	44.70	40.64	30.48	20	499582-4
	.900	1.600	1.760	1.600	1.200		
OBSOLETE	17.78	35.56	39.62	35.56	25.40	16	499582-3
	.700	1.400	1.560	1.400	1.000		
OBSOLETE	15.24	33.02	37.08	33.02	22.86	14	499582-2
	.600	1.300	1.460	1.300	.900		
OBSOLETE	10.16	27.94	32.00	27.94	17.78	10	499582-1
	.400	1.100	1.260	1.100	.700		
	E	D	C	B	A	NO OF POSN	PART NUMBER



THIS DRAWING IS A CONTROLLED DOCUMENT.

DIMENSIONS: mm [INCHES]	TOLERANCES UNLESS OTHERWISE SPECIFIED:	DIN 9-21-90	H MOLL	9-28-90	CHK R. STONE	APVD R. KILE	10-3-90	NAME	tyco Electronics	Tyco Electronics Corporation	Harrisburg, PA 17105-3608		
0 PLC ± -	1 PLC ± -	2 PLC ± ± 0.13[.005]	3 PLC ± ± -	4 PLC ± ± -	ANGLES ± ± -	FINISH	PRODUCT SPEC	108-40018	APPLICATION SPEC	SIZE	CAGE CODE	DRAWING NO	RESTRICTED TO
MATERIAL	HOUSING & LATCHES: GLASS FILLED NYLON OR POLYESTER, 90°C MILD.	POSTS: PHOS BRONZE	WEIGHT	A1	00779	499582	CUSTOMER DRAWING	SCALE	4:1	SHEET	1 OF 1	REV	L