

Distributed by:

JAMECO[®]
ELECTRONICS

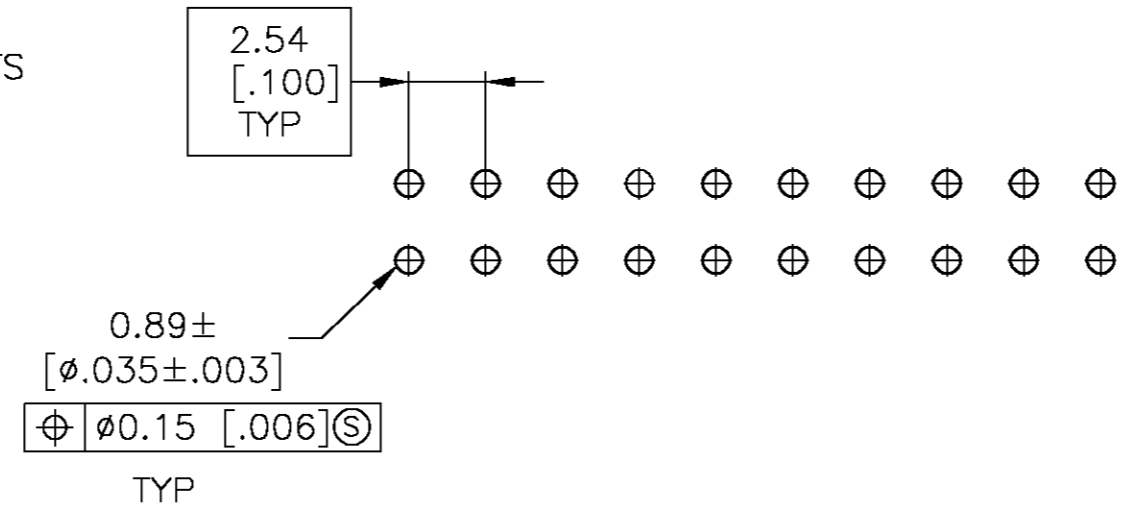
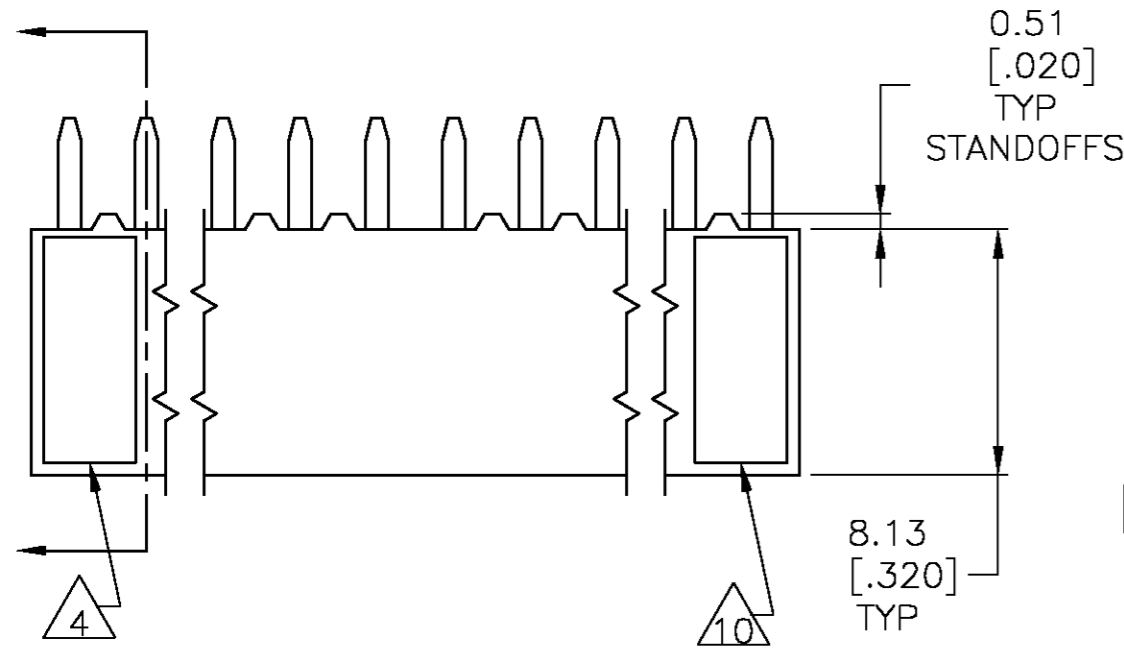
www.Jameco.com ♦ 1-800-831-4242

The content and copyrights of the attached
material are the property of its owner.

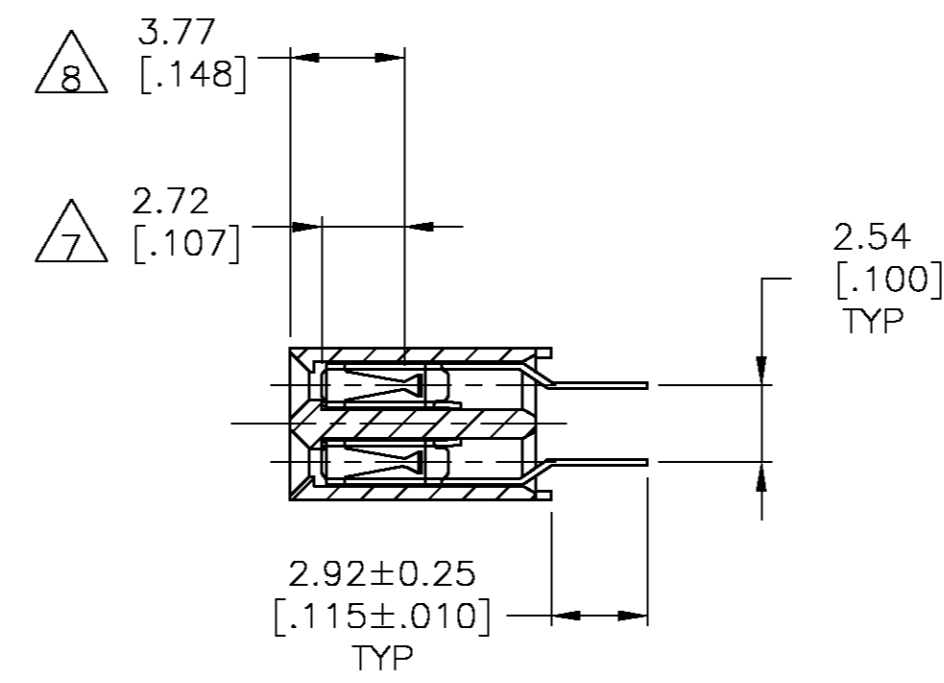
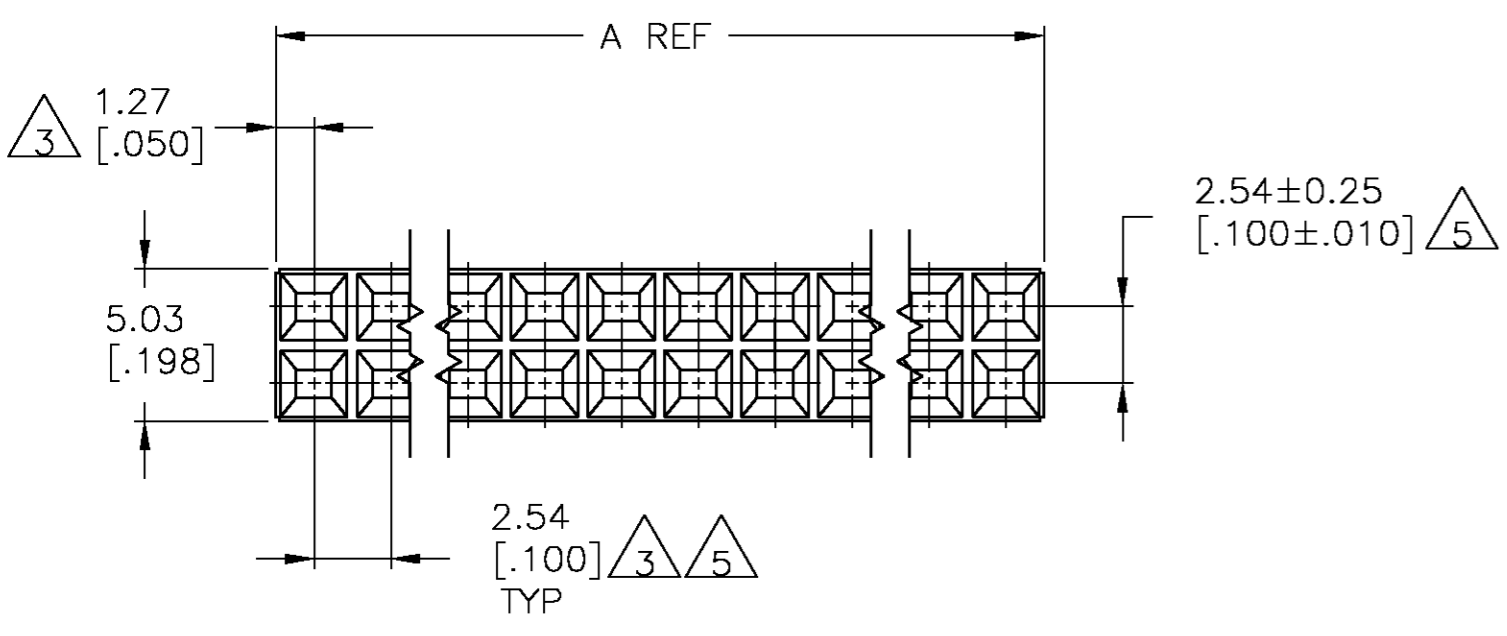
Jameco Part Number 851235

THIS DRAWING IS UNPUBLISHED. RELEASED FOR PUBLICATION
 © COPYRIGHT BY TYCO ELECTRONICS CORPORATION. ALL RIGHTS RESERVED.

LOC		DIST		REVISIONS				
P	LTR	DESCRIPTION			DATE	DWN	APVD	
R		EC 0G3C 0623 04			25JAN05	BSV	RB	



RECOMENDED PC BOARD HOLE PATTERN
 PC BOARD THICKNESS 1.57[.062]



2	99.06 [3.900]	101.60 [4.000]	80	4-534206-0
2	96.52 [3.800]	99.06 [3.900]	78	3-534206-9
2	93.98 [3.700]	96.52 [3.800]	76	3-534206-8
2	91.44 [3.600]	93.98 [3.700]	74	3-534206-7
2	88.90 [3.500]	91.44 [3.600]	72	3-534206-6
2	86.36 [3.400]	88.90 [3.500]	70	3-534206-5
2	83.82 [3.300]	86.36 [3.400]	68	3-534206-4
2	81.28 [3.200]	83.82 [3.300]	66	3-534206-3
2	78.74 [3.100]	81.28 [3.200]	64	3-534206-2
2	76.20 [3.000]	78.74 [3.100]	62	3-534206-1
2	73.66 [2.900]	76.20 [3.000]	60	3-534206-0
2	71.12 [2.800]	73.66 [2.900]	58	2-534206-9
2	68.58 [2.700]	71.12 [2.800]	56	2-534206-8
2	66.04 [2.600]	68.58 [2.700]	54	2-534206-7
2	63.50 [2.500]	66.04 [2.600]	52	2-534206-6
2	60.96 [2.400]	63.50 [2.500]	50	2-534206-5
2	58.42 [2.300]	60.96 [2.400]	48	2-534206-4
2	55.88 [2.200]	58.42 [2.300]	46	2-534206-3
2	53.34 [2.100]	55.88 [2.200]	44	2-534206-2
2	50.80 [2.000]	53.34 [2.100]	42	2-534206-1
2	48.26 [1.900]	50.80 [2.000]	40	2-534206-0
2	45.72 [1.800]	48.26 [1.900]	38	1-534206-9
2	43.18 [1.700]	45.72 [1.800]	36	1-534206-8
2	40.64 [1.600]	43.18 [1.700]	34	1-534206-7
2	38.10 [1.500]	40.64 [1.600]	32	1-534206-6
2	35.56 [1.400]	38.10 [1.500]	30	1-534206-5
2	33.02 [1.300]	35.56 [1.400]	28	1-534206-4
2	30.48 [1.200]	33.02 [1.300]	26	1-534206-3
2	27.94 [1.100]	30.48 [1.200]	24	1-534206-2
2	25.40 [1.000]	27.94 [1.100]	22	1-534206-1
2	22.86 [.900]	25.40 [1.000]	20	1-534206-0
2	20.32 [.800]	22.86 [.900]	18	534206-9
2	17.78 [.700]	20.32 [.800]	16	534206-8
2	15.24 [.600]	17.78 [.700]	14	534206-7
2	12.70 [.500]	15.24 [.600]	12	534206-6
2	10.16 [.400]	12.70 [.500]	10	534206-5
2	7.62 [.300]	10.16 [.400]	8	534206-4
2	5.08 [.200]	7.62 [.300]	6	534206-3
2	2.54 [.100]	5.08 [.200]	4	534206-2
2	-	2.54 [.100]	2	534206-1

- 1 HOUSING: FLAME RETARDANT, GLASS FILLED, POLYESTER, COLOR: BLACK. CONTACT: PHOSPHOR BRONZE
- 2 CONTACT: DUPLEX PLATED 0.76µm[.000030] GOLD IN CONTACT AREA, 3.81-7.62µm[.000150-.000300] BRIGHT TIN-LEAD ON LEADS ALL OVER 1.27µm[.000050] MINIMUM NICKEL
- 3 THESE DIMENSIONS PERTAIN TO CAVITY CENTERLINES ONLY - NOT TO CONTACT LOCATIONS
- 4 PART NUMBER AND DATE CODE ARE MARKED IN APPROXIMATE LOCATION SHOWN.
- 5 TOLERANCE IS NON-CUMULATIVE.
- 6 2 POSITION DATE CODE IS MARKED OPPOSITE SIDE OF TYCO LOGO.
- 7 POINT-OF-MEASUREMENT DIMENSION FOR PLATING THICKNESS (INSIDE CONTACT BEAM).
- 8 POINT-OF-CONTACT DIMENSION.
- 9 NO PART NUMBER MARKING REQUIRED FOR THIS PART.
- 10 TYCO LOGO AND CSA LOGO ARE MOLDED INTO HOUSING.
- 11 CONTACT: DUPLEX PLATED 0.76µm[.000030] MIN GOLD IN CONTACT AREA, 3.81-7.62µm[.000150-.000300] MATTE TIN ON LEADS ALL OVER 1.27µm[.000050] MIN NICKEL
- 12 ROHS 2002 /95/EC COMPLIANT.


FINISH	B	A	NO OF .POSN	PART NUMBER
--------	---	---	-------------	-------------

THIS DRAWING IS A CONTROLLED DOCUMENT.		DWN M.BINNER 06NOV2002	Tyco Electronics Corporation Harrisburg, Pa 17105-3608	
DIMENSIONS: mm [INCHES]		CHK J.OLSON 06NOV02	NAME	
TOLERANCES UNLESS OTHERWISE SPECIFIED:		APVD J.OLSON 06NOV02	PRODUCT SPEC	
0 PLC ± -		108-25022		RECEPTACLE ASSEMBLY, MOD IV, DOUBLE ROW, DUAL ENTRY, .100X.100CL, VERTICAL MOUNT, AMPMODU
1 PLC ± -		APPLICATION SPEC		
2 PLC ± -		114-25018		SIZE A2
3 PLC ± -		WEIGHT -		CAGE CODE 00779
4 PLC ± -		FINISH		DRAWING NO C=534206
ANGLES ± -		CUSTOMER DRAWING		RESTRICTED TO -
SCALE 4:1		SHEET 1 OF 2		REV R

THIS DRAWING IS UNPUBLISHED. RELEASED FOR PUBLICATION
 © COPYRIGHT BY TYCO ELECTRONICS CORPORATION. ALL RIGHTS RESERVED.

LOC		DIST		REVISIONS			
P	LTR	DESCRIPTION	DATE	DWN	APVD		
		SEE SHEET 1					

FINISH	B	A	NO OF POSN	PART NUMBER		
11	99.06	3.900	101.60	4.000	80	9-534206-0
11	96.52	3.800	99.06	3.900	78	8-534206-9
11	93.98	3.700	96.52	3.800	76	8-534206-8
11	91.44	3.600	93.98	3.700	74	8-534206-7
11	88.90	3.500	91.44	3.600	72	8-534206-6
11	86.36	3.400	88.90	3.500	70	8-534206-5
11	83.82	3.300	86.36	3.400	68	8-534206-4
11	81.28	3.200	83.82	3.300	66	8-534206-3
11	78.74	3.100	81.28	3.200	64	8-534206-2
11	76.20	3.000	78.74	3.100	62	8-534206-1
11	73.66	2.900	76.20	3.000	60	8-534206-0
11	71.12	2.800	73.66	2.900	58	7-534206-9
11	68.58	2.700	71.12	2.800	56	7-534206-8
11	66.04	2.600	68.58	2.700	54	7-534206-7
11	63.50	2.500	66.04	2.600	52	7-534206-6
11	60.96	2.400	63.50	2.500	50	7-534206-5
11	58.42	2.300	60.96	2.400	48	7-534206-4
11	55.88	2.200	58.42	2.300	46	7-534206-3
11	53.34	2.100	55.88	2.200	44	7-534206-2
11	50.80	2.000	53.34	2.100	42	7-534206-1
11	48.26	1.900	50.80	2.000	40	7-534206-0
11	45.72	1.800	48.26	1.900	38	6-534206-9
11	43.18	1.700	45.72	1.800	36	6-534206-8
11	40.64	1.600	43.18	1.700	34	6-534206-7
11	38.10	1.500	40.64	1.600	32	6-534206-6
11	35.56	1.400	38.10	1.500	30	6-534206-5
11	33.02	1.300	35.56	1.400	28	6-534206-4
11	30.48	1.200	33.02	1.300	26	6-534206-3
11	27.94	1.100	30.48	1.200	24	6-534206-2
11	25.40	1.000	27.94	1.100	22	6-534206-1
11	22.86	.900	25.40	1.000	20	6-534206-0
11	20.32	.800	22.86	.900	18	5-534206-9
11	17.78	.700	20.32	.800	16	5-534206-8
11	15.24	.600	17.78	.700	14	5-534206-7
11	12.70	.500	15.24	.600	12	5-534206-6
9	10.16	.400	12.70	.500	10	5-534206-5
9	7.62	.300	10.16	.400	8	5-534206-4
9	5.08	.200	7.62	.300	6	5-534206-3
9	2.54	.100	5.08	.200	4	5-534206-2
9	-		2.54	.100	2	5-534206-1

THIS DRAWING IS A CONTROLLED DOCUMENT.		DWN M.BINNER 06NOV2002	 Tyco Electronics Corporation Harrisburg, Pa 17105-3608	
DIMENSIONS: mm [INCHES]		CHK J.OLSON 06NOV02	NAME RECEPTACLE ASSEMBLY, MOD IV, DOUBLE ROW, DUAL ENTRY, .100X.100CL, VERTICAL MOUNT, AMPMODU	
TOLERANCES UNLESS OTHERWISE SPECIFIED: 0 PLC ± - 1 PLC ± - 2 PLC ± - 3 PLC ± - 4 PLC ± - ANGLES ± -		APVD J.OLSON 06NOV02	PRODUCT SPEC 108-25022	
MATERIAL		APPLICATION SPEC 114-25018	SIZE A2	CAGE CODE 00779
FINISH		WEIGHT -	DRAWING NO C=534206	RESTRICTED TO -
CUSTOMER DRAWING		SCALE 1:1		SHEET 2 OF 2
				REV R