

Distributed by:

JAMECO[®]
ELECTRONICS

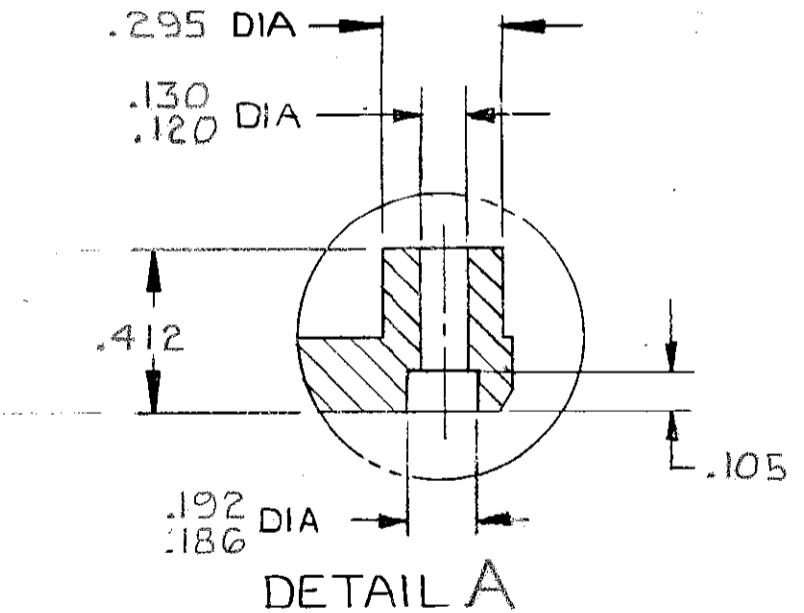
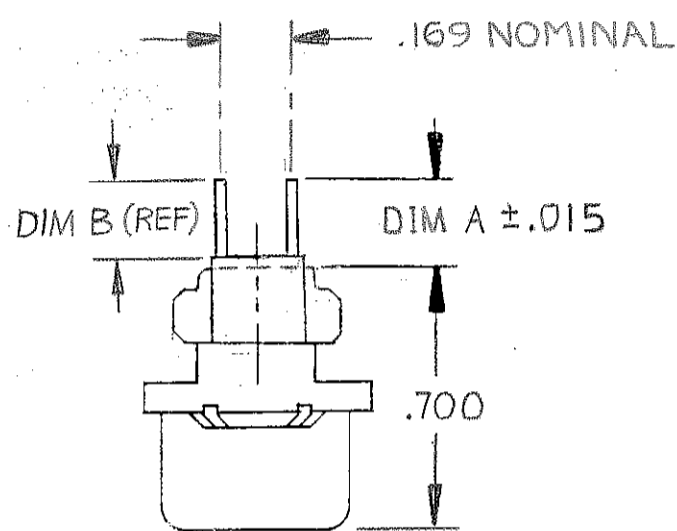
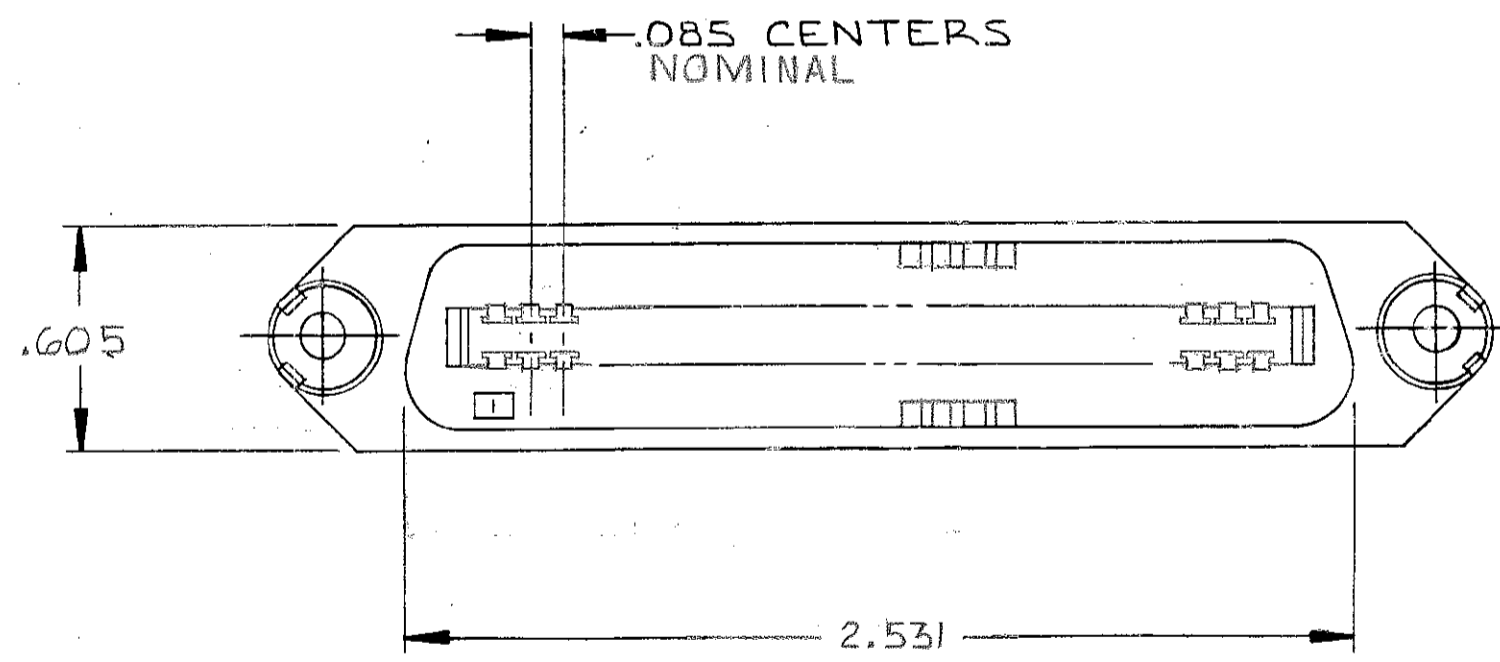
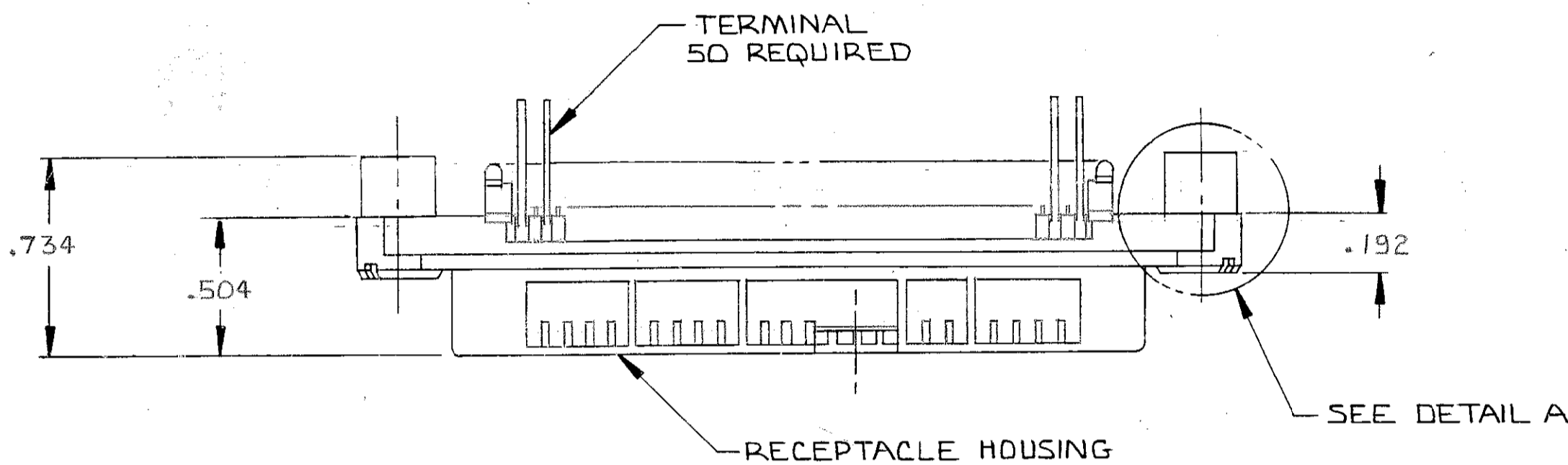
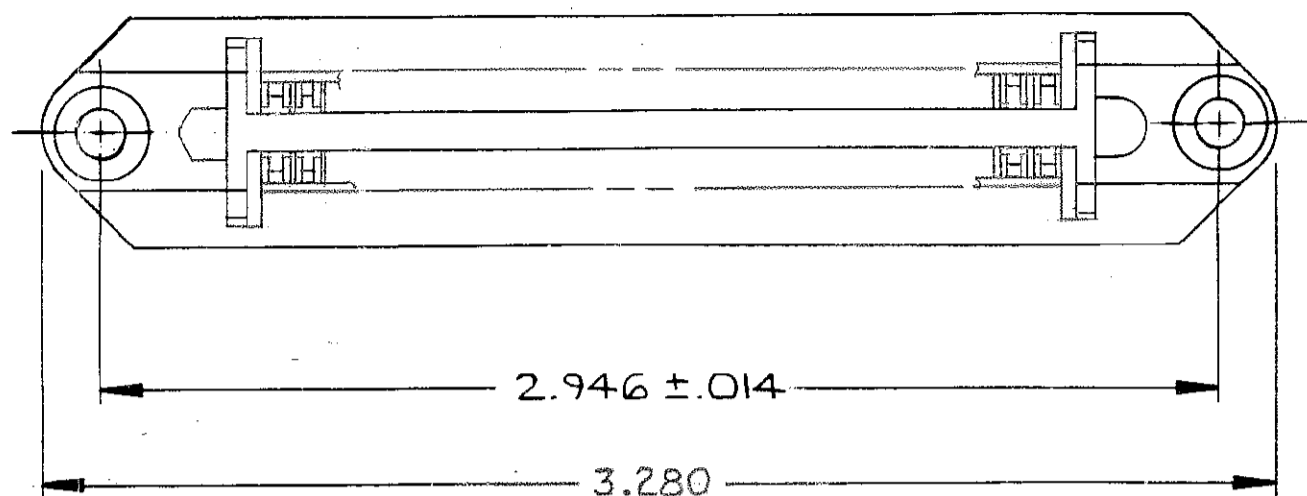
www.Jameco.com ♦ 1-800-831-4242

The content and copyrights of the attached
material are the property of its owner.

Jameco Part Number 852158

© COPYRIGHT 1973 BY AMP INCORPORATED, HARRISBURG, PA.
 ALL INTERNATIONAL RIGHTS RESERVED. AMP INCORPORATED PRODUCTS
 COVERED BY U. S. AND FOREIGN PATENTS AND/OR PATENTS PENDING.

REVISIONS						
P	F	ZONE	LTR	DESCRIPTION	DATE	APPROVED
			N	REVISED; EC 0072-01	5-11-01	DD EB



- THE CONTACT SURFACES OF THE TERMINALS ARE COATED WITH LUBRICANT.
- ⚠ MATERIAL: HOUSING-POLYESTER, BLACK
 TERMINALS-TAILS-TIN LEAD OVER NICKEL PLATED, HIGH STRENGTH COPPER ALLOY.
 MATING SURFACE-LOCALIZED GOLD OVER NICKEL PLATED HIGH STRENGTH COPPER ALLOY.
- ALL DIMENSIONS SHOWN ARE MAXIMUM UNLESS OTHERWISE SPECIFIED.

.180	.200	552118-1
DIM B	DIM A	PART NO

UNLESS OTHERWISE SPECIFIED DIMENSIONS ARE IN INCHES. TOLERANCES ON: DECIMALS ± = ANGLES ± =	CONTRACT NO	AMP INCORPORATED Harrisburg, Pa.		
	DR <i>M.D. Fried</i> 11-2-79			NAME
	MATERIAL	CHK <i>V.S. Slack</i> 11/5/79	RECEPTACLE ASSEMBLY, 50 POSITION, VERTICAL MOUNTING, W/STANDOFFS, CHAMP-LOK	
	FINISH	APPD <i>A.B. Wilkerson</i> 11/5/79	SIZE	CODE IDENT NO
	APPD <i>A. Nece</i> 4/14/81	C	00779	
	DSGN APPD	DRAWING NO		
	OTHER APPD	552118		
		SCALE	SHEET 1 OF 1	
		2/1		

552118