

Distributed by:

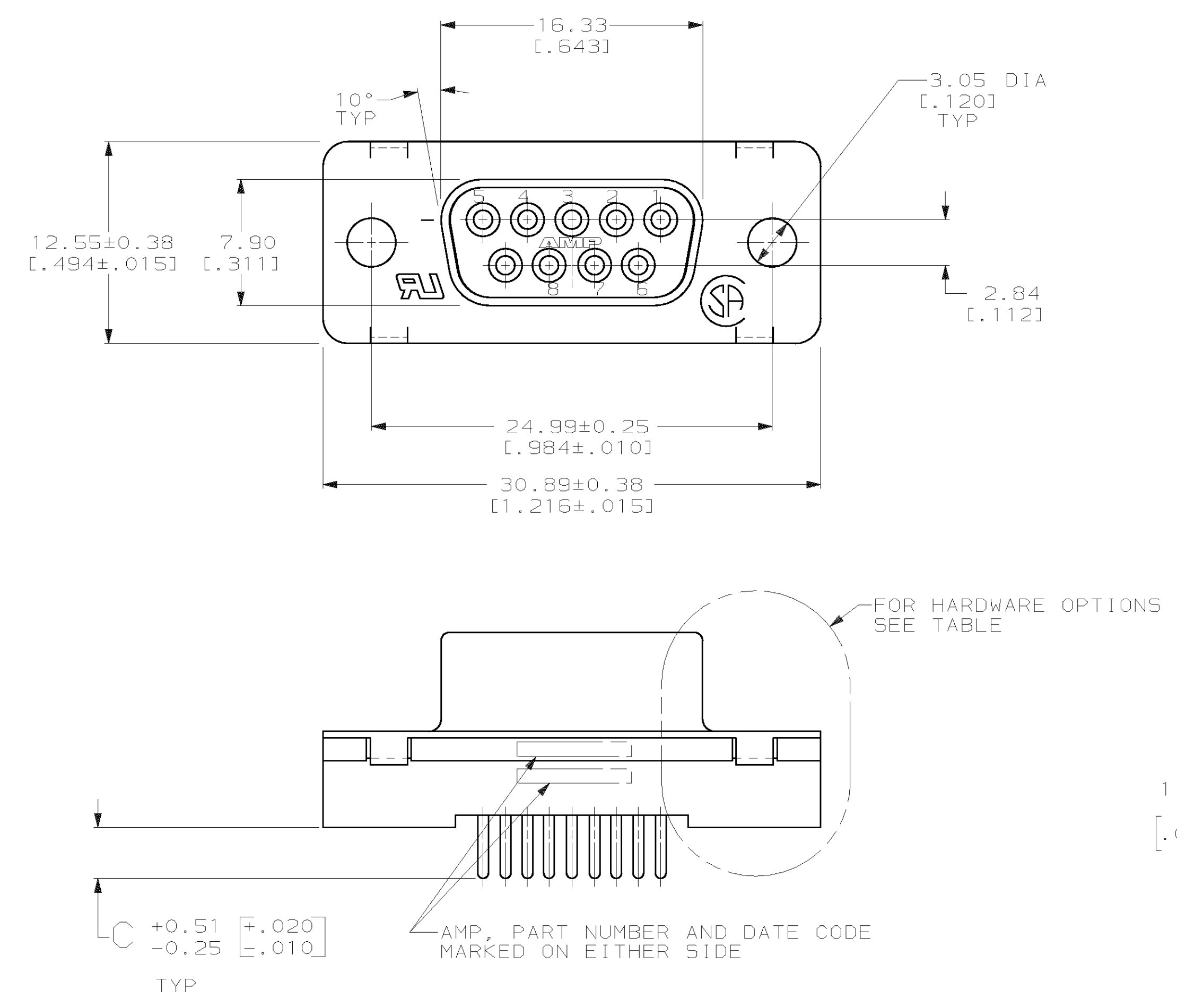
**JAMECO**<sup>®</sup>  
ELECTRONICS

**www.Jameco.com ♦ 1-800-831-4242**

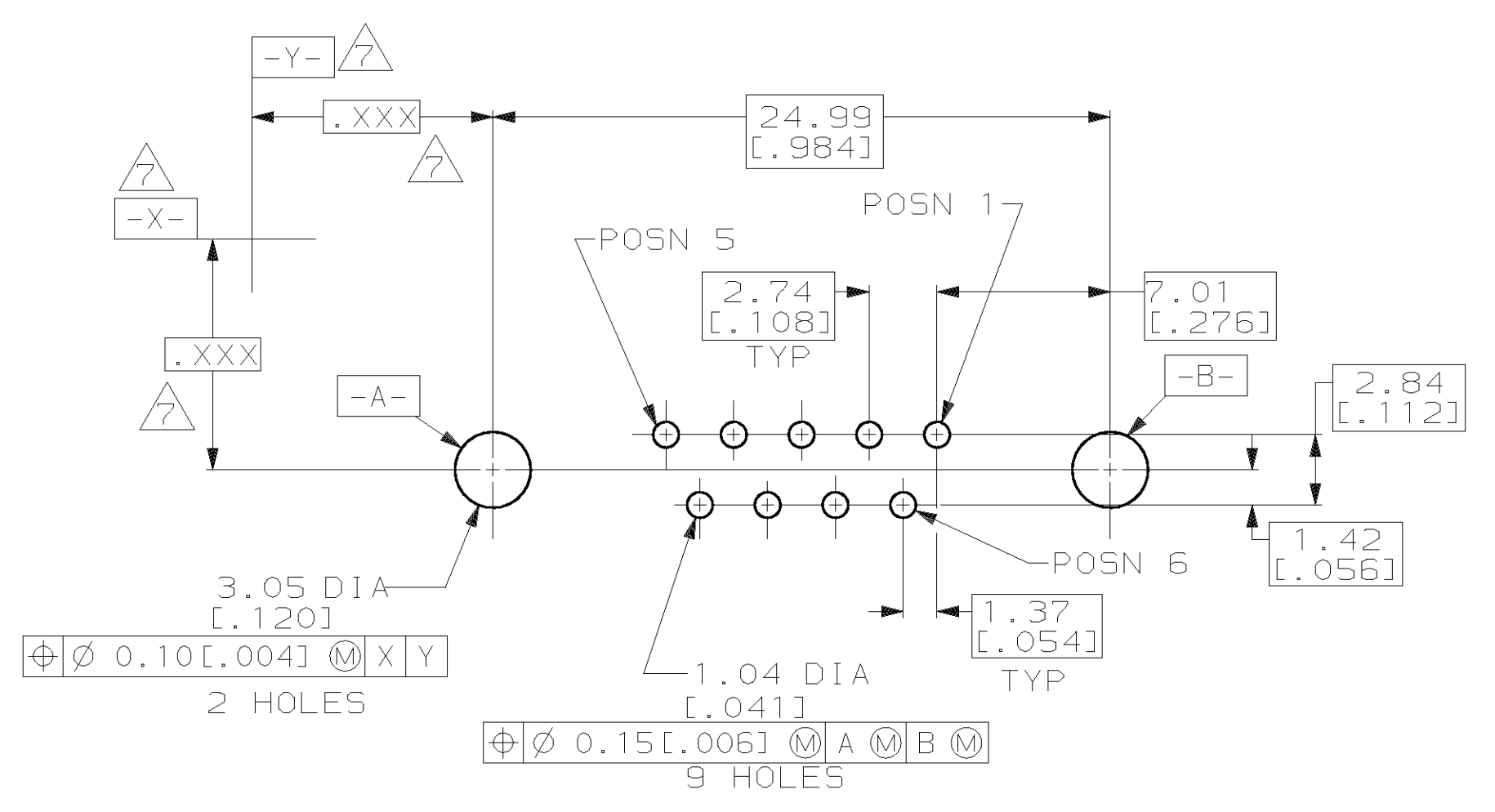
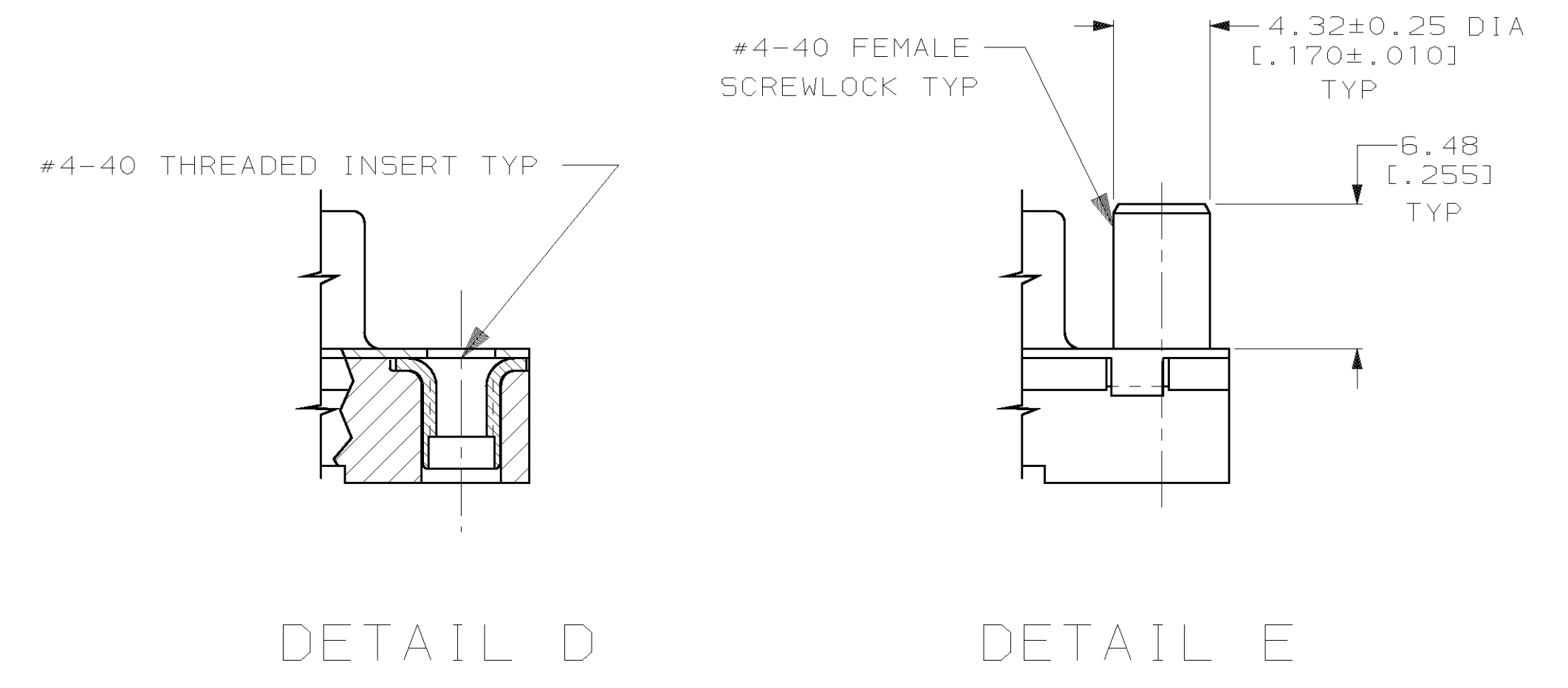
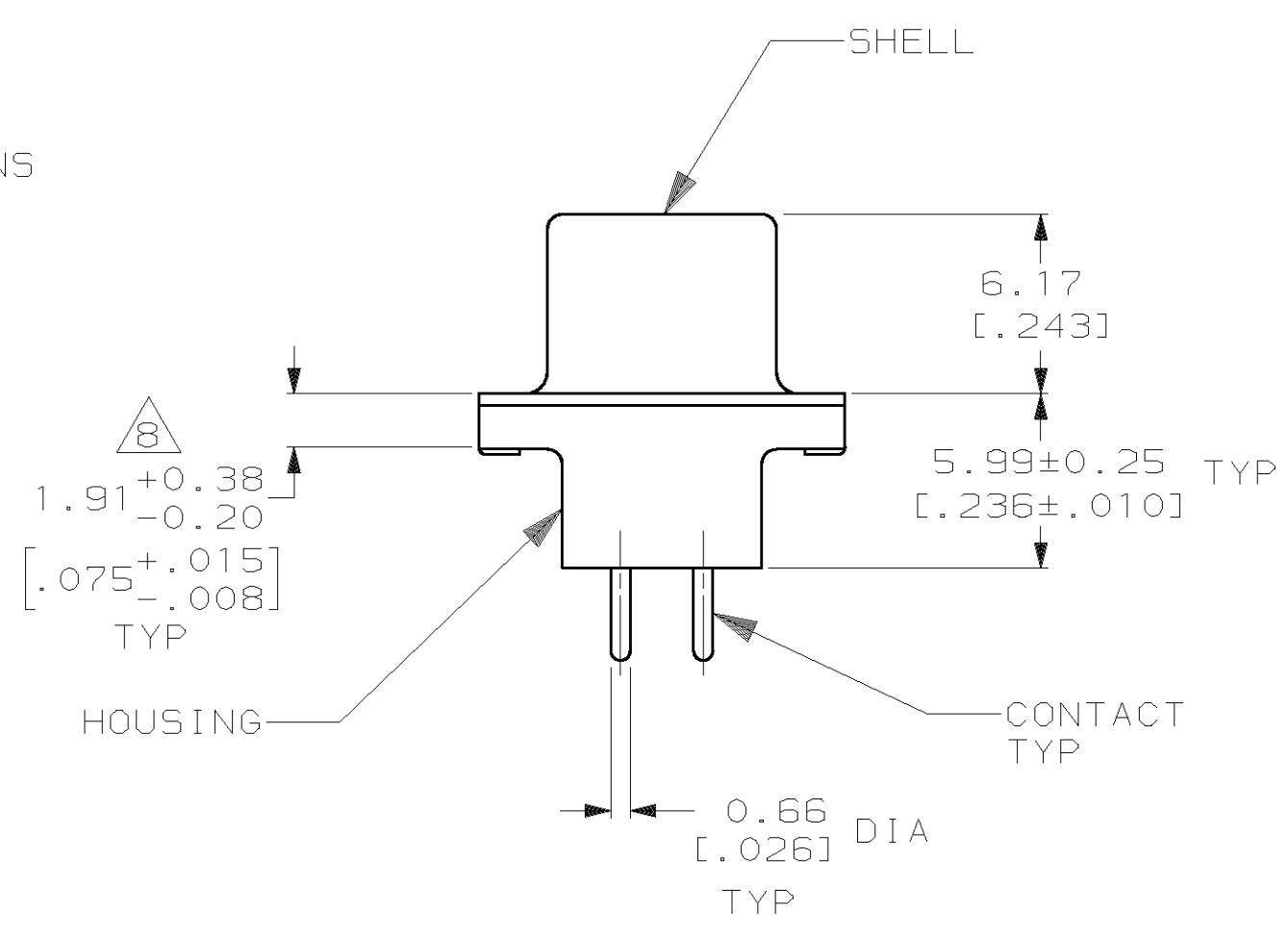
The content and copyrights of the attached  
material are the property of its owner.

Jameco Part Number 863375

| LOC |    | DIST |  | P |  | ZONE |  | LTR |  | REVISIONS   |                             |         |    |
|-----|----|------|--|---|--|------|--|-----|--|-------------|-----------------------------|---------|----|
| GP  | 00 |      |  |   |  |      |  |     |  | DESCRIPTION | DATE                        | APPD    |    |
|     |    |      |  |   |  |      |  |     |  | K           | REVISED PER EC 0513-0030-03 | 06NOV03 | JG |



- 1 POLYESTER, UL 94V-0 RATED, BLACK.
- 2 CARBON STEEL PER ASTM A109.
- 3 5.08um [.000200] MIN TIN OVER 2.54um [.000100] MIN COPPER.
- 4 GOLD FLASH FOR A LENGTH OF 2.54 [.100] MIN FROM MATING END, 2.54um [.000100] MIN TIN OR TIN-LEAD ON OPPOSITE END, BOTH OVER 1.27um [.000050] MIN NICKEL.
- 5 0.76um [.000030] MIN GOLD FOR A LENGTH OF 2.54 [.100] MIN FROM MATING END, 2.54um [.000100] MIN TIN OR TIN-LEAD ON OPPOSITE END, BOTH OVER 1.27um [.000050] MIN NICKEL.
- 6 TIN PLATING PER MIL-T-10727, GOLD PLATING PER MIL-G-45204, NICKEL PLATING PER QQ-N-290, COPPER PLATING PER MIL-C-14550.
- 7 DATUMS AND BASIC DIMENSIONS ESTABLISHED BY CUSTOMER.
- 8 2.79 [.110] MAX IN SHELL TAB CLINCH AREAS.
- 9 SUPERSEDED BY 747150-2.
- 10 SUPERSEDED BY 747150-9.
- 11 SUPERSEDED BY 1-747150-6.
- 12 OBSOLETE.



RECOMMENDED PC BOARD LAYOUT  
 CONNECTOR SIDE OF PC BOARD

| CONFIGURATION                                     | CONTACTS | FINISH      | PART NO    |
|---|----------|-------------|------------|
| W/FEMALE SCREWLOCKS PER DETAIL E                  | 5        | 4.32 [.170] | 1-747150-6 |
|   | 4        | 4.32 [.170] | 1-747150-5 |
|   | 5        | 3.18 [.125] | 1-747150-4 |
| W/THREADED INSERTS PER DETAIL D                   | 4        | 3.18 [.125] | 1-747150-3 |
|   | 5        | 6.35 [.250] | 1-747150-1 |
|   | 5        | 4.32 [.170] | 1-747150-0 |
| WO/FEMALE SCREWLOCKS OR THREADED INSERTS AS SHOWN | 4        | 4.32 [.170] | 747150-9   |
|   | 5        | 3.18 [.125] | 747150-8   |
|   | 4        | 3.18 [.125] | 747150-7   |
| HARDWARE OPTIONS                                  | 5        | 4.32 [.170] | 747150-4   |
|   | 5        | 3.18 [.125] | 747150-2   |
|   | 4        | 3.18 [.125] | 747150-1   |

|   |  |  |  |
|---|--|--|--|
| DO NOT SCALE PRINT. UNLESS SPECIFIED DIMENSIONS IN mm [INCHES] TOLERANCES ON: 2 PLC DEC ± 0.13 [.005] 3 PLC DEC ± - ANGLES ± 2° | DR 3-22-93 D BROCKWAY<br>CHK 5-10-93 R STONE<br>APPD 5-10-93 M PERCERCHKE<br>APPD 5-10-93 M PERCERCHKE | <b>AMP</b>   AMP INCORPORATED<br>Harrisburg, Pa. 17105<br>NAME: RECEPTACLE ASSEMBLY, SIZE 1, 9 POSITION FRONT METAL SHELL, WITH OR WITHOUT SCREWLOCKS OR INSERTS, AMPLIMITE™ HDP |  |
| MATERIAL: HOUSING: 1 SHELL: 2 CONTACTS: PHOS, BRONZE PER QQ-B-750 SCREWLOCKS: ZINC, INSERTS: BRASS                              | PRODUCT SPEC: 108-40025<br>APPLICATION SPEC: 114-40023<br>WEIGHT: -                                    |  |  |