

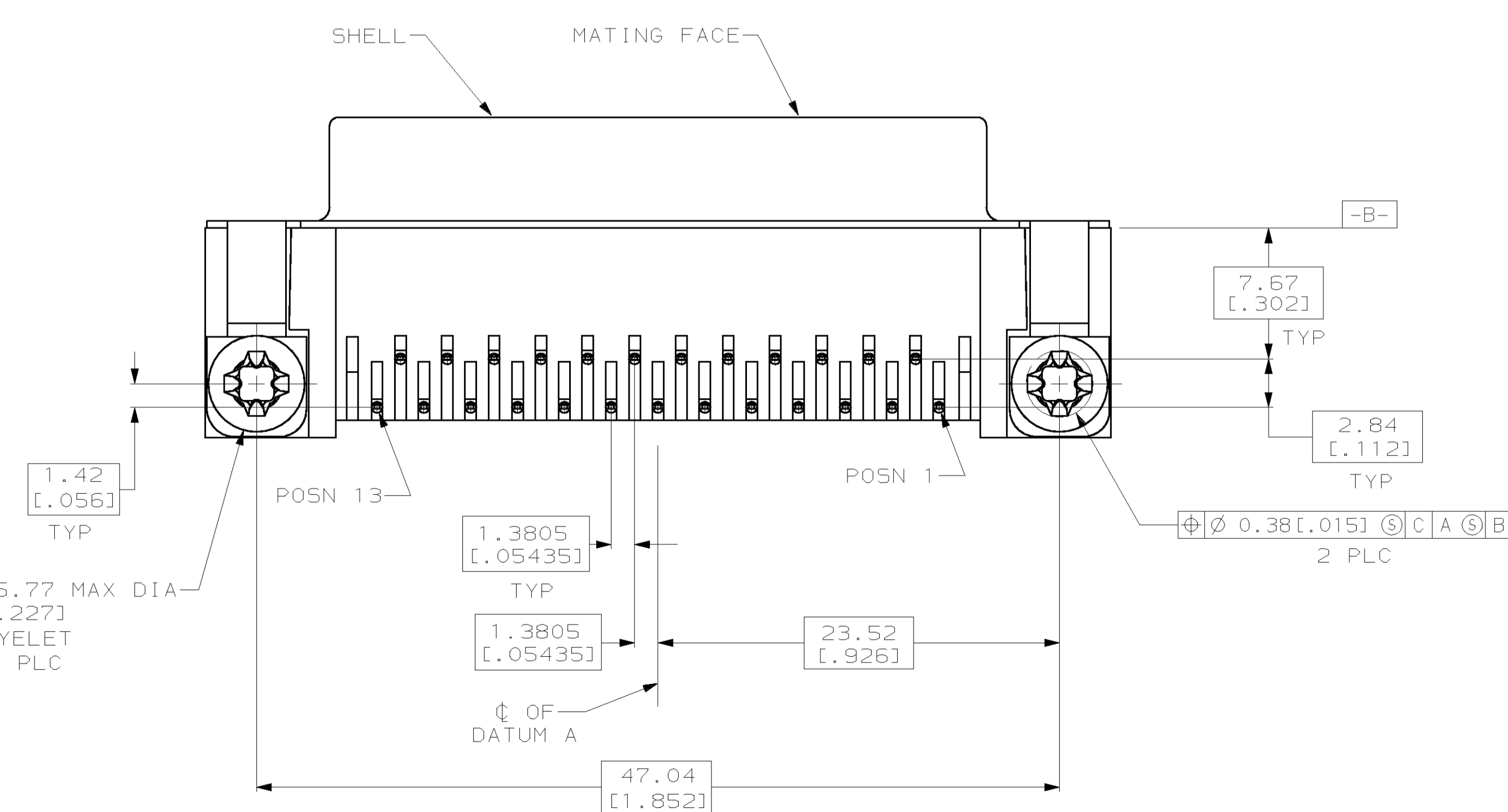
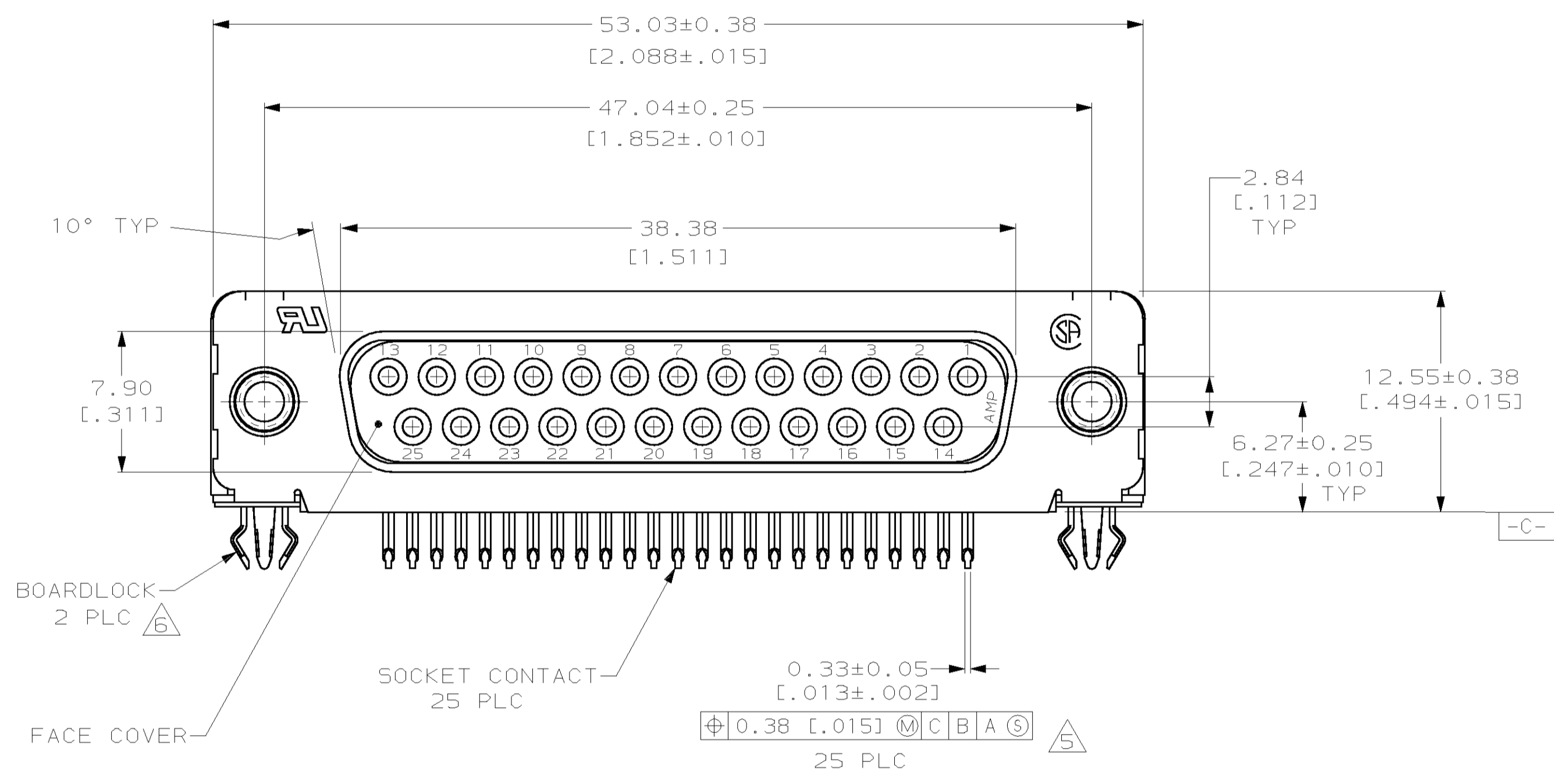
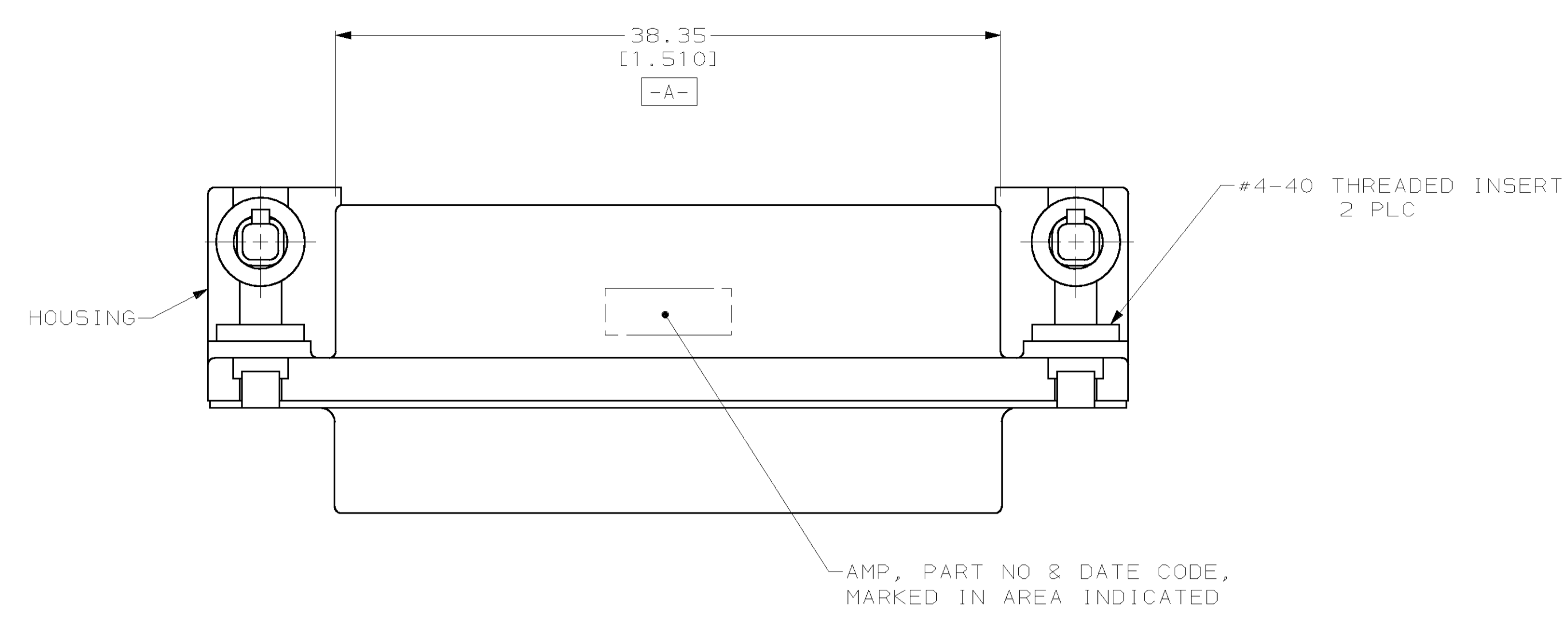
Distributed by:

**JAMECO**<sup>®</sup>  
ELECTRONICS

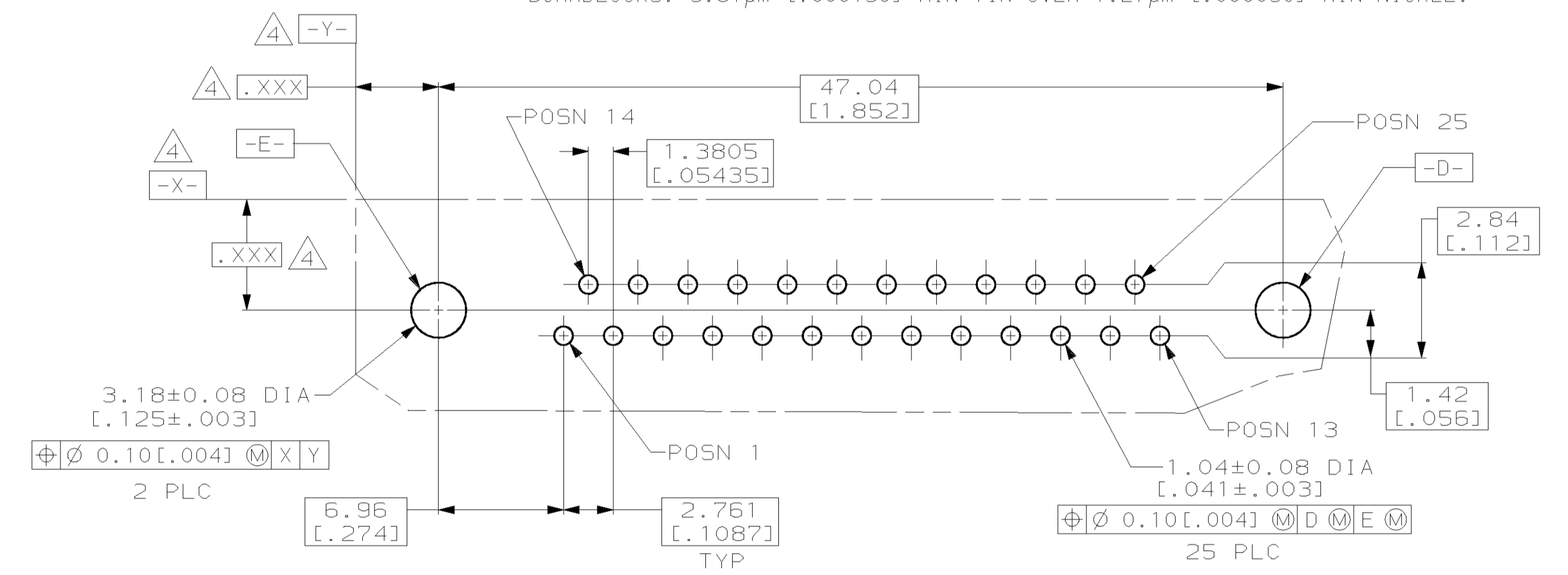
**www.Jameco.com ♦ 1-800-831-4242**

The content and copyrights of the attached  
material are the property of its owner.

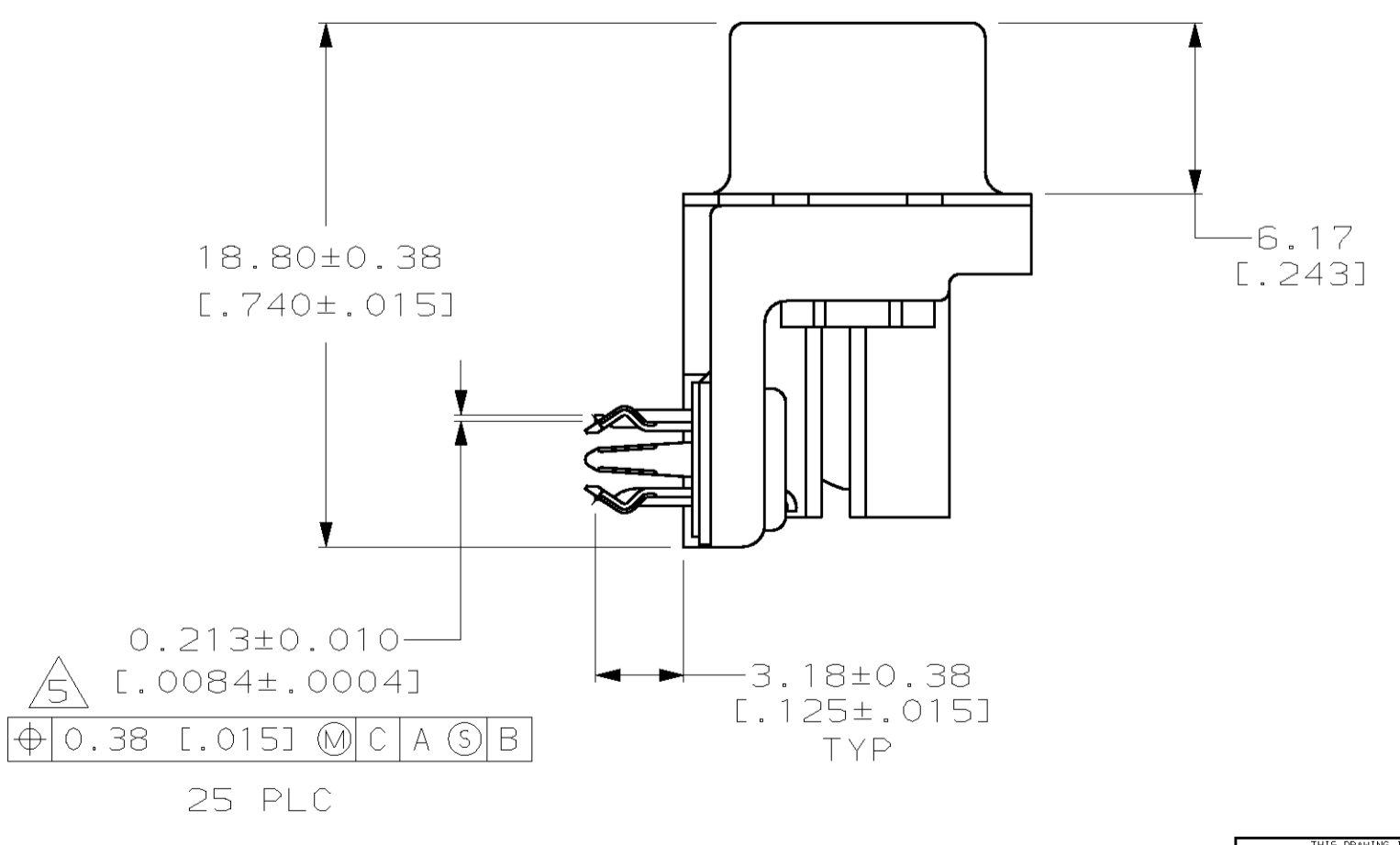
Jameco Part Number 840237



- 1 HOUSING & FACE COVER: NYLON, THERMOPLASTIC, UL 94V0 RATED, BLACK; SHELL: CARBON STEEL PER ASTM A109; SOCKET CONTACTS: PHOSPHOR BRONZE; PER QQ-B-750; EYELETS: BRASS; THREADED INSERTS: ZINC; BOARDLOCKS: COPPER ALLOY.
- 2 SOCKET CONTACTS: GOLD PLATED FOR A LENGTH OF 1.27 [.050] MIN FROM MATING END, 0.76μm [.000030] MIN GOLD IN MATED AREA, 2.54μm [.000100] MIN TIN OR TIN-LEAD FOR A LENGTH OF 3.56 [.140] MIN FROM OPPOSITE END, BOTH OVER 1.27μm [.000050] MIN NICKEL.  
 EYELETS: 2.54μm [.000100] MIN TIN-LEAD OR TIN OVER COPPER FLASH.  
 SHELL: 2.54μm [.000100] MIN TIN OVER 1.27μm [.000050] MIN COPPER.  
 THREADED INSERTS: CLEAR CHROMATE.  
 BOARDLOCKS: 3.81μm [.000150] MIN TIN-LEAD OVER 1.27μm [.000050] MIN NICKEL.
- 3 SOCKET CONTACTS: GOLD PLATED FOR A LENGTH OF 1.27 [.050] MIN FROM MATING END, GOLD FLASH IN MATED AREA, 2.54μm [.000100] MIN TIN OR TIN-LEAD FOR A LENGTH OF 3.56 [.140] MIN FROM OPPOSITE END, BOTH OVER 1.27μm [.000050] MIN NICKEL.  
 EYELETS: 2.54μm [.000100] MIN TIN-LEAD OR TIN OVER COPPER FLASH.  
 SHELL: 2.54μm [.000100] MIN TIN OVER 1.27μm [.000050] MIN COPPER.  
 THREADED INSERTS: CLEAR CHROMATE.  
 BOARDLOCKS: 3.81μm [.000150] MIN TIN-LEAD OVER 1.27μm [.000050] MIN NICKEL.
- 4 DATUMS AND BASIC DIMENSIONS ESTABLISHED BY CUSTOMER.
- 5 POSITION TOLERANCE APPLIES AT CONTACT TIP.
- 6 BOARDLOCKS WILL ACCEPT .062 MAX PRINTED CIRCUIT BOARD THICKNESS.
- 7. COMPATIBLE WITH TYPICAL HIGH TEMPERATURE SOLDERING APPLICATIONS TO A MAXIMUM OF 225°C FOR A MAXIMUM DURATION OF 90 SECONDS. TEMPERATURE TO BE MEASURED ON CONNECTOR SURFACE.
- 8 SOCKET CONTACTS: GOLD PLATED FOR A LENGTH OF 1.27 [.050] MIN FROM MATING END, 0.76μm [.000030] MIN GOLD IN MATED AREA, 2.54μm [.000100] MIN TIN OR TIN-LEAD FOR A LENGTH OF 3.56 [.140] MIN FROM OPPOSITE END, BOTH OVER 1.27μm [.000050] MIN NICKEL.  
 EYELETS: 2.54μm [.000100] MIN TIN-LEAD OR TIN OVER COPPER FLASH.  
 SHELL: 2.54μm [.000100] MIN TIN OVER 1.27μm [.000050] MIN COPPER.  
 THREADED INSERTS: CLEAR CHROMATE.  
 BOARDLOCKS: 3.81μm [.000150] MIN TIN OVER 1.27μm [.000050] MIN NICKEL.



RECOMMENDED PC BOARD LAYOUT  
 1.57 [.062] PC BOARD THICKNESS



6-788800-7	
788800-2	
788800-1	
FINISH	PART NO

DIMENSIONS: mm (INCHES) TOLERANCES UNLESS OTHERWISE SPECIFIED: 0 PLC ±.0013 (0.005) 1 PLC ±.0013 (0.005) 2 PLC ±.0013 (0.005) 3 PLC ±.0013 (0.005) 4 PLC ±.0013 (0.005) DIMENSIONS ±.0013 (0.005)		DWN: D. BROCKWAY 02 MAR 00 CHK: J. KOPPENHEFFER 03 MAR 00 APVD: J. KOPPENHEFFER 03 MAR 00 PRODUCT SPEC: 108-40025 APPLICATION SPEC: 114-40010 WEIGHT: - CUSTOMER DRAWING	NAME: RCPT ASSEMBLY, SIZE 3, .318 SERIES, WITH FRONT METAL SHELL, HIGH TEMPERATURE, AMPLIMITE™ HD-20 SIZE: A1 CAGE CODE: 00779 DRAWING NO: C-788800 SCALE: 4:1 SHEET: 1 OF 1 REV: A
--	--	--	---