



Please wait for menu to be constructed

Liquidtight Flexible Nonmetallic Conduit Fittings

Specification Sheet-Bullet® Liquidtight Fittings for Liquidtight Flexible Nonmetallic Conduit and Tubing

Plastic Bullet® Liquidtight Fittings for T&B LTC Nonmetallic Liquidtight Conduit Type B and T&B EFC Flexible Tubing®

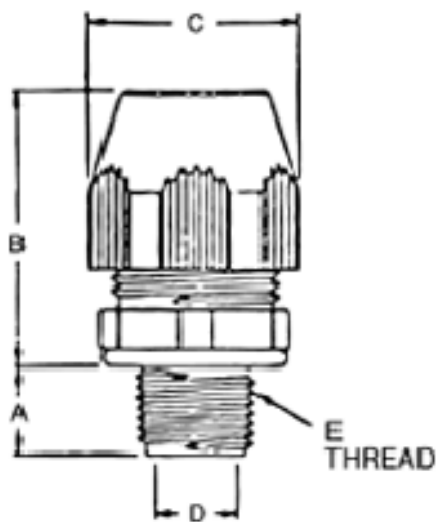


Figure 1

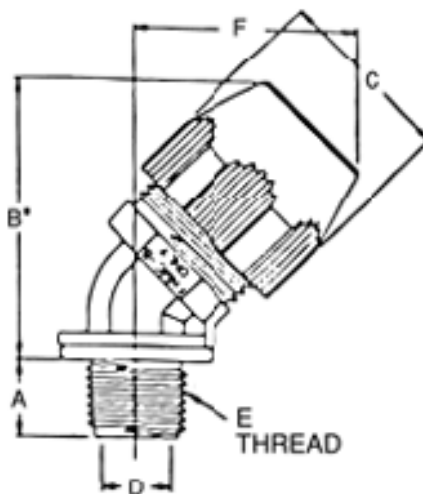


Figure 2

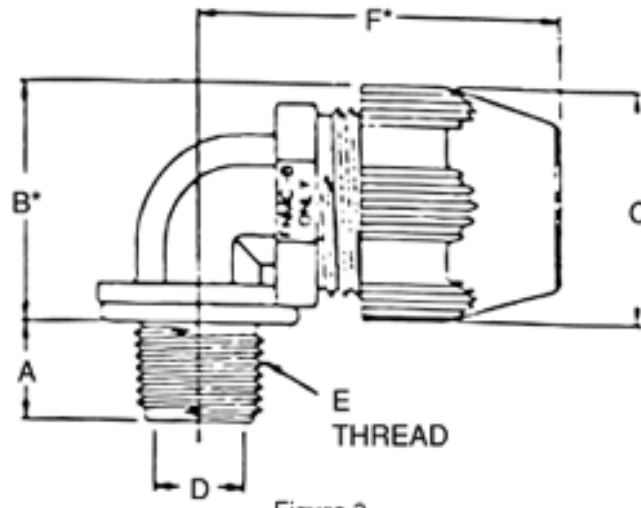


Figure 3

Dimension Information In F.P.S (U.S)

[Display in metric standards \(C.G.S\)](#)

Catalog No	Dim A (In.)	Dim B (In.)	Dim C (In.)	Dim F App (In.)	Figure	Min Throat Dia D (In.)	Thread Npt	Conduit Size
LT9125P	0.000	2.564	2.494	2.856	3	1.257	1 1/4 - 11 1/2	1 1/4

Packaging Information

Catalog#	Unit Quantity	Standard Quantity Package	Weight (lbs.)	Weight UOM
LT9125P	2	10	46.500	Per 100

Listed / Certified By



UL Listed

(Catalog# LT9125P)
(File# 23018)



CSA Certified

(Catalog# LT9125P)
(File# 2884)

[Smart Search Results](#) [View Product Category](#)

[Print Back](#)